

Table of contents

Instructions: W0010046

Product: KC alternator
Part no.: 0 120 485 ..

Special features	I02/1
Structure, usage	I08/1
General information	I09/1
Safety measures	I11/1
Testers, equipment, tools	I13/1
Test specifications	I15/1
Tightening torques	I16/1
Circuit diagram	I17/1
Alternator disassembly/testing table	I25/1
Component cleaning	II24/1 II26/1
Alternator assembly table	III12/1

Continue: I01/2

Table of contents

Editorial note	IV05/1
----------------	--------

Continue: I01/1

SPECIAL FEATURES

These instructions describe repair procedures and contain the corresponding test specifications for the following alternators

Part nos.:	0 120 485 ...
	0 123 3.. ...

Continue: I02/2

SPECIAL FEATURES

Type:	KC R 14V 70A
	KC R 14V 80A
	KC R 14V 90A
	KC R 14V 32-60A
	KC R 14V 37-70A
	KC R 14V 40-70A
	KC R 14V 45-80A
	KC R 14V 45-90A
	KC R 14V 50-80A
	KC R 14V 50-90A
	KC R 28V 20-55A

Continue: I03/1

SPECIAL FEATURES

NOTE:

These repair instructions were compiled on the basis of the following alternator

Type: KC R 14V 50-90A
Part no.: 0 123 325 006

The different alternator versions can be seen from the appropriate parts lists.

Continue: I03/2

SPECIAL FEATURES

NOTE:

There are two types of rotor mounting in the drive end shield.

- Deep-groove ball bearing pressed into drive end shield, clearance fit on rotor shaft
- Deep-groove ball bearing pressed onto rotor shaft, clearance fit in drive end shield

The different versions can be seen from the appropriate parts lists.

Continue: I04/1

SPECIAL FEATURES

Alternators of this type are fitted with a monolith or multifunction regulator.

Multifunction regulators have the following features:

- Voltage actual value and excitation current via connection B+
- Pre-excitation clocked via B+
- Connection, terminal L (detection of ignition switch on, fault display)
- Load-response starting (no supply of current during and immediately after starting; optional)

Continue: I04/2

SPECIAL FEATURES

- Load response/driving (power supply constantly increased via ramp; optional)
- Connection/DF monitor (evaluation of current alternator load; optional)
- Connection/terminal S (battery "Sense", voltage signal directly from battery; optional)
- Thermal regulation of regulator voltage (optional)

Continue: I05/1

SPECIAL FEATURES

NOTE:

If checking with oscilloscope reveals that rectifier unit is OK, it is not necessary to separate rectifier unit/stator.

Never block fan and pulley with a screwdriver or the like when dismantling or assembling. Bent or damaged fan blades will cause damage to the alternator.

Continue: I05/2

SPECIAL FEATURES

The entire assembly is geared to the alignment of the V-belt. Modifications or assembly errors can lead to damage.

Continue: I06/1

SPECIAL FEATURES

The alternator housing is made of die-cast aluminum. Particular care is to be taken on dismantling and assembly as the housing is susceptible to damage. Deformation and surface damage may permanently impair the fit accuracy of the alternator components. This can result in damage to the alternator during operation.

Continue: I06/2

SPECIAL FEATURES

After performing repairs, the function of the alternator is to be checked on a suitable test bench.

Continue: I07/1

SPECIAL FEATURES

Explanatory notes on alternator
labelling e.g.: KC R 14V 50-90A

K = Size

G = 100 ... 109 mm

K = 120 ... 129 mm

N = 130 ... 142 mm

C = Type of alternator

1 Claw-pole alternator

2 Salient-pole alternator

3 Windingless-rotor alternator

C Compact alternator

Continue: I07/2

SPECIAL FEATURES

KC R 14V 50-90A

R = Direction of rotation

-> or R = Clockwise

<- or L = Counter-clockwise

<-> or RL = Clockwise and
counter-clockwise

14V = Alternator voltage in volts

50- = Rated current in A measured at
n = 1800 min⁻¹

90A = Rated current in A measured at
n = 6000 min⁻¹

Continue: I01/1

STRUCTURE, USAGE

PC user prompting:

Position cursor on button and confirm.

Microcard user prompting:

User prompting is provided on every page e.g.:

- Continue: I 17/1

- Continue: II 18/1 Fig.: II 17/2

Brief instructions may include several rows of coordinates.

I../. = first coordinate row

II../. = second coordinate row

III../. = third coordinate row

etc.

.../1 = upper coordinate half

.../2 = lower coordinate half

Continue: I01/1

GENERAL

Expert repairs are only possible using the prescribed tools and measuring instruments, which are in perfect working order. We therefore recommend that exclusive use be made of the tools listed.

The use of incorrect and unsuitable tools and testers can lead to injury and may damage the product concerned or its component parts.

Continue: I09/2

GENERAL

Exclusive use is to be made of service parts as per applicable parts list for type of alternator concerned.

To ensure proper functioning, use must be made of the materials prescribed in these instructions.

Ensure absolute cleanliness when performing repair work.

Continue: I10/1

GENERAL

Tester and object being tested must be at room temperature for all checks performed during repair work.

The stated test values are referenced to a temperature of 20 C.

Continue: I01/1

SAFETY MEASURES

ATTENTION: DANGER OF FIRE

For transmitter and receiver interference suppression purposes, alternators are fitted with capacitors with a long storage time.

When washing out alternator components, immersion in cleaning fluid may result in capacitor discharge and cause flammable liquids to ignite.

Continue: I11/2

SAFETY MEASURES

For this reason, components with capacitors are only to be washed out using cleaning agents (e.g. HAKU 1025/6) which are not readily flammable.

Continue: I12/1

SAFETY MEASURES

Always heed the following safety regulations:

- * German Order governing the use of flammable liquids (VbF).
 - * Accident prevention regulations for electrical systems and equipment.
 - * Safety regulations for the handling of chlorinated hydrocarbons:
 - For companies: ZH 1/222
 - For employees: ZH 1/129
- issued by the German industrial liability insurance associations (central association for accident prevention and industrial medicine), Langwartweg 103, 53129 Bonn.

Continue: I12/2

SAFETY MEASURES

Outside Germany, pay attention to appropriate local regulations.

Skin protection:

To avoid skin irritation when handling oil and grease, apply hand cream before starting work and wash cream off when finished with soap and water.

Continue: I01/1

TESTERS, FIXTURES, TOOLS

Testers, measuring instruments

Alternator
tester: 0 684 201 200
(WPG 012.00)

Interturn short circuit
tester: 0 986 619 110

Test prods:
(old version 0 986 619 101
0 986 619 114)

Universal measuring
instrument MMD 302: 0 984 500 302
or
Electrical system
tester: 0 684 101 400
(ETE 014.00)

Continue: I13/2

TESTERS, FIXTURES, TOOLS

Testers, measuring instruments

Dial gauge: 1 687 233 011

Magnetic measurement
stand: 4 851 601 124
(T-M 1)

Two V-blocks: comm. avail.

Continue: I14/1

TESTERS, FIXTURES, TOOLS

Tools, fixtures

Socket wrench:	0 986 618 152 (KDLJ 6030)
Disassembly tool:	0 986 619 396
M10 multi-point socket, long version:	comm. avail.
Support piece and pressing-in sleeve:	0 986 618 162 (KDLJ 6044)
Mandrel press:	comm. avail.

Continue: I14/2

TESTERS, FIXTURES, TOOLS

Tools, fixtures

Torque wrench:	comm. avail.
Supporting blocks for protective cap mount:	0 986 618 168 (KDLJ 6046)
Two-arm puller:	comm. avail.
Soldering iron 180 W:	comm. avail.
High-temperature solder (min. 480 C):	comm. avail.
Solder cream:	comm. avail.

Continue: I01/1

TEST SPECIFICATIONS

Mechanical test specifications

Diameter of collector rings

New: 15,6 mm
Min.: 14,9 mm

Max. radial run-out of collector rings:

0,03 mm

Max. radial run-out at rotor OD:

0,05 mm

Carbon brush projection at regulator

New: 12,5 mm
Min.: 5 mm

Continue: I15/2

TEST SPECIFICATIONS

Electrical test specifications

Interference suppression

capacitor: 2,0...2,4 microfarads

Stator resistance:

< 0,1 Ohm

Rotor resistance

(14V version):

1,8...2,8 Ohm

Rotor resistance

(28V version):

7,2...8,8 Ohm

Continue: I01/1

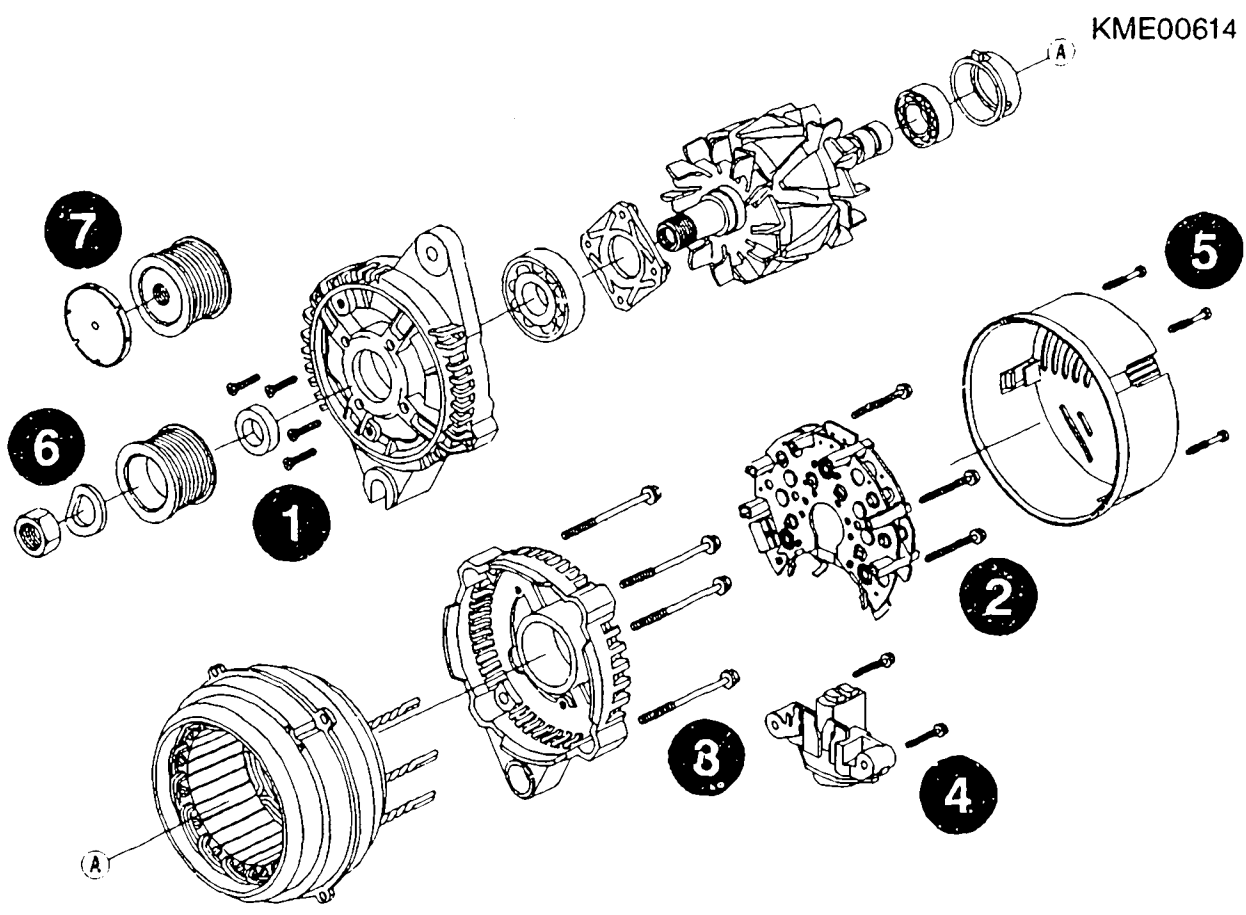
TIGHTENING TORQUES

Tightening torques for attachment of

1 = Cover plate:	2,7...3,5	Nm
2 = Rectifier unit:	3,5...4,3	Nm
3 = End shields:	4,5...5,5	Nm
4 = Regulator:	1,6...2,3	Nm
5 = Protective cap:	0,5...1,2	Nm
6 = Pulley:	60...70	Nm
7 = Free-wheel pulley:	75...85	Nm

Connection B+: 10 Nm
 Connection D+: 7,8 Nm

Continue: I01/1 Fig.: I16/2



CIRCUIT DIAGRAM

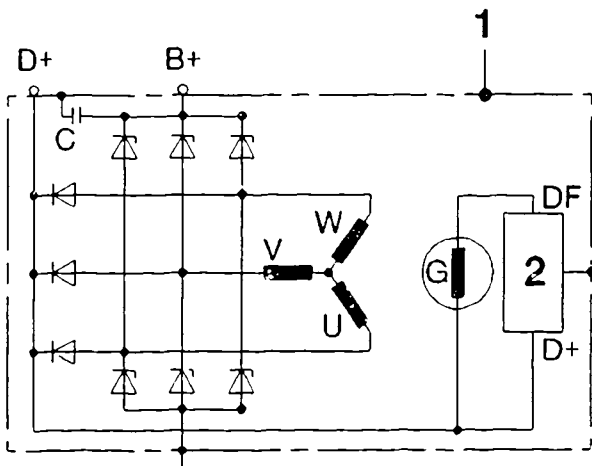
Rectifier unit version 1

1 = Alternator

2 = Regulator

Continue: I18/1 Fig.: I17/2

KME00600



CIRCUIT DIAGRAM

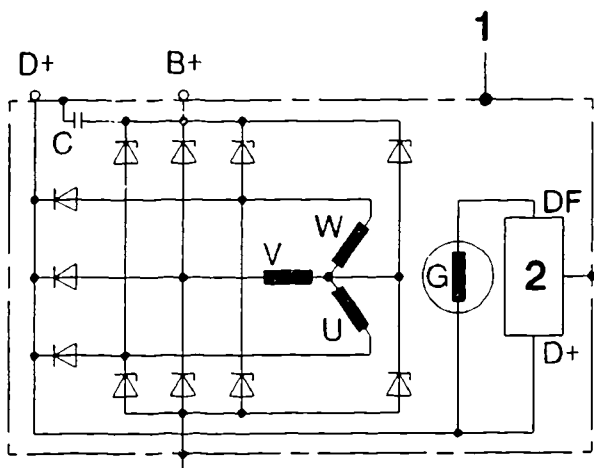
Rectifier unit version 2

1 = Alternator

2 = Regulator

Continue: I19/1 Fig.: I18/2

KME00601



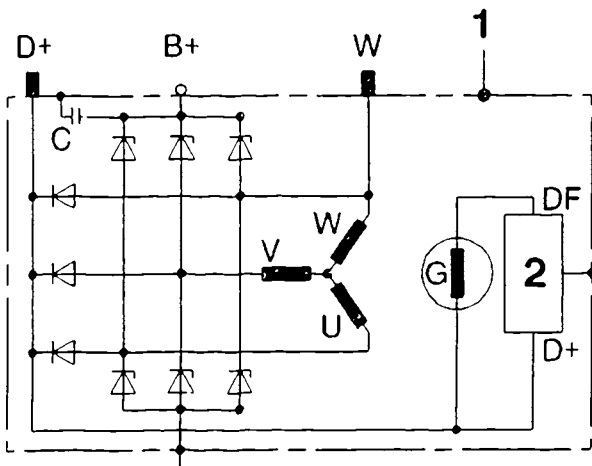
CIRCUIT DIAGRAM

Rectifier unit version 3

1 = Alternator
2 = Regulator

Continue: I20/1 Fig.: I19/2

KME00602



CIRCUIT DIAGRAM

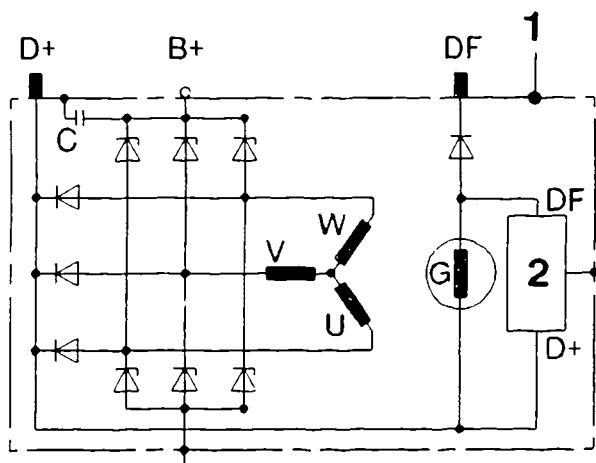
Rectifier unit version 4

1 = Alternator

2 = Regulator

Continue: I21/1 Fig.: I20/2

KME00603



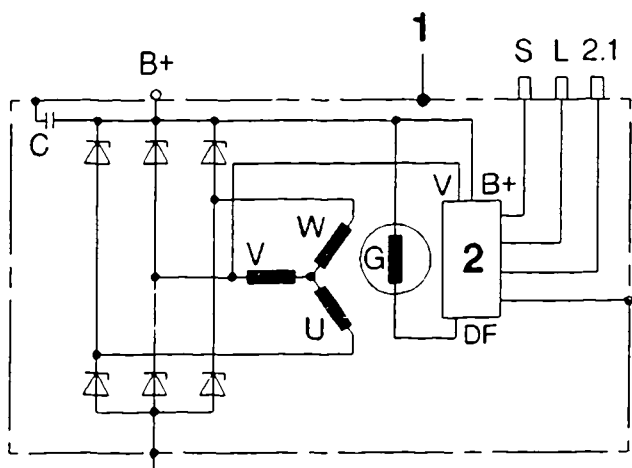
CIRCUIT DIAGRAM

Rectifier unit version 5
(with multifunction regulator)

- 1 = Alternator
- 2 = Regulator
- 2.1 = Test pin

Continue: I22/1 Fig.: I21/2

KME00639



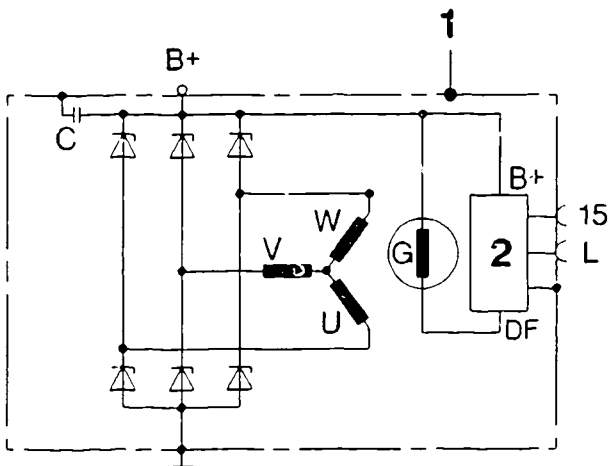
CIRCUIT DIAGRAM

Rectifier unit version 6
(with multifunction regulator)

- 1 = Alternator
- 2 = Regulator

Continue: I23/1 Fig.: I22/2

KME00640



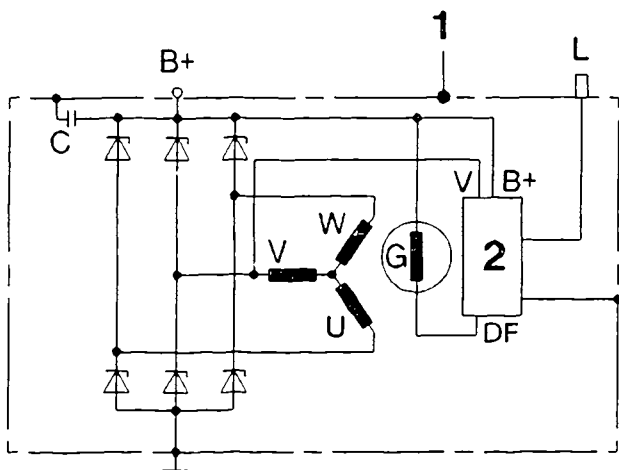
CIRCUIT DIAGRAM

Rectifier unit version 7
(with multifunction regulator)

1 = Alternator
2 = Regulator

Continue: I24/1 Fig.: I23/2

KME00641



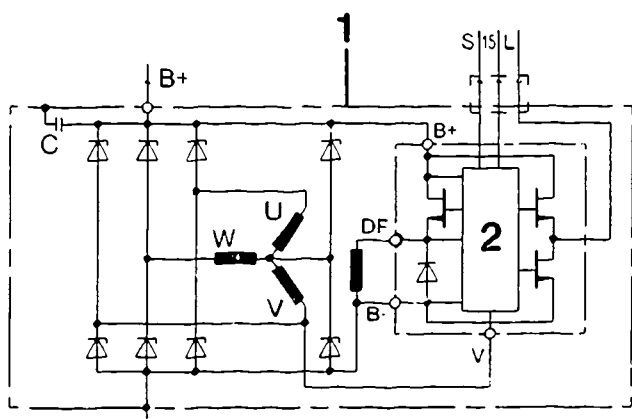
CIRCUIT DIAGRAM

Rectifier unit version 8
(28V)

1 = Alternator
2 = Regulator

Continue: I01/1 Fig.: I24/2

KME00611



ALTERNATOR DISASSEMBLY/CHECKING
TABLE

Disassembling pulley	I26/1
Disassembling protective cap	II02/1
Disassembling regulator	II05/1
Checking (installed) rectifier unit	II07/1
Checking (installed) stator	II09/1
Disassembling drive end shield	II10/1
Disassembling rotor	II12/1
Disassembling deep-groove ball bearing of drive end shield	II14/1

Continue: I25/2

ALTERNATOR DISASSEMBLY/CHECKING
TABLE

Disassembling deep-groove ball bearing of collector ring end shield	II17/1
Disassembling rectifier unit	II19/1
Disassembling stator	II23/1

Continue: I01/1

DISASSEMBLING AND CHECKING ALTERNATOR

Disassembling pulley

Remove cap (1) of pulley (2).

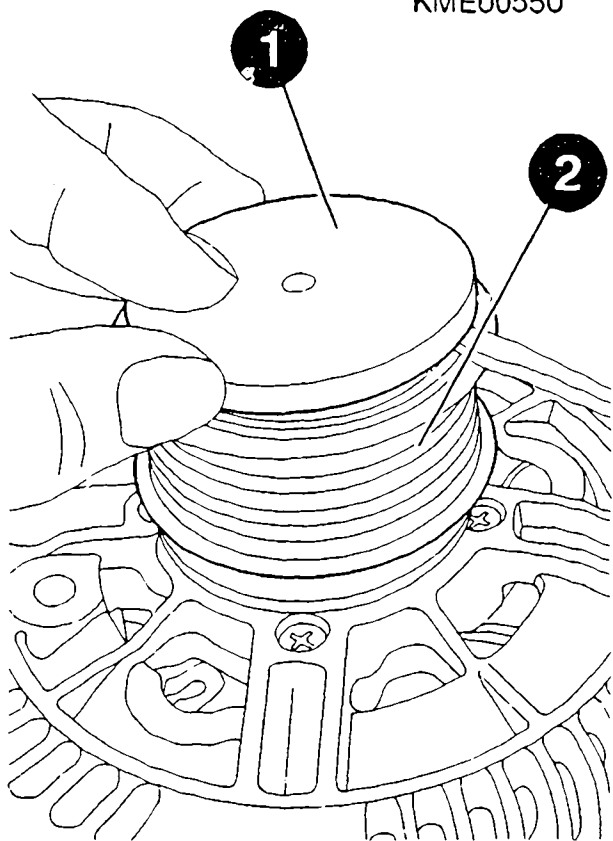
NOTE:

Cap is either pressed in or clipped on.

Clip-on cap can be removed using a suitable tool.

Continue: I27/1 Fig.: I26/2

KME00550



DISASSEMBLING AND CHECKING ALTERNATOR

Disassembling pulley

Remove cap (1) of pulley (2).

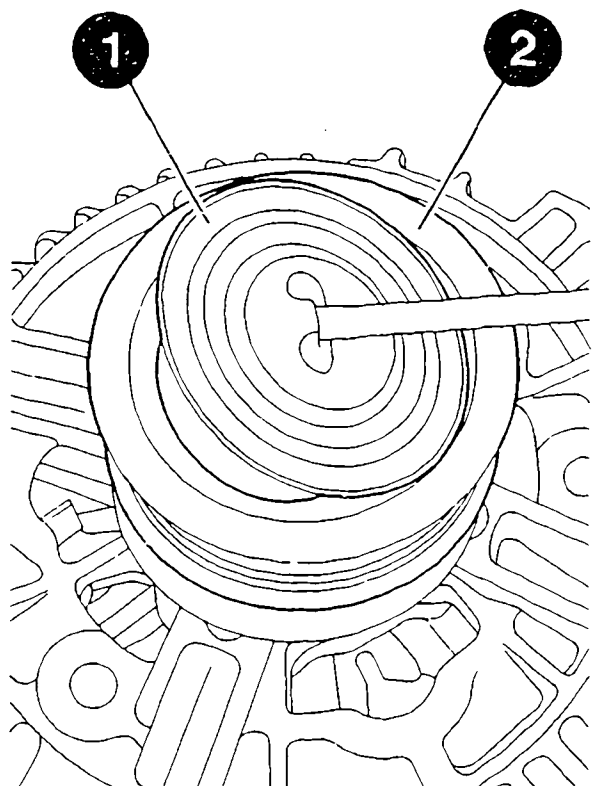
NOTE:

Cap is either pressed in or clipped on.

A pressed-in cap can only be removed by piercing it and prising it out.

Continue: I28/1 Fig.: I27/2

KME00551



DISASSEMBLING AND CHECKING ALTERNATOR

Disassembling pulley

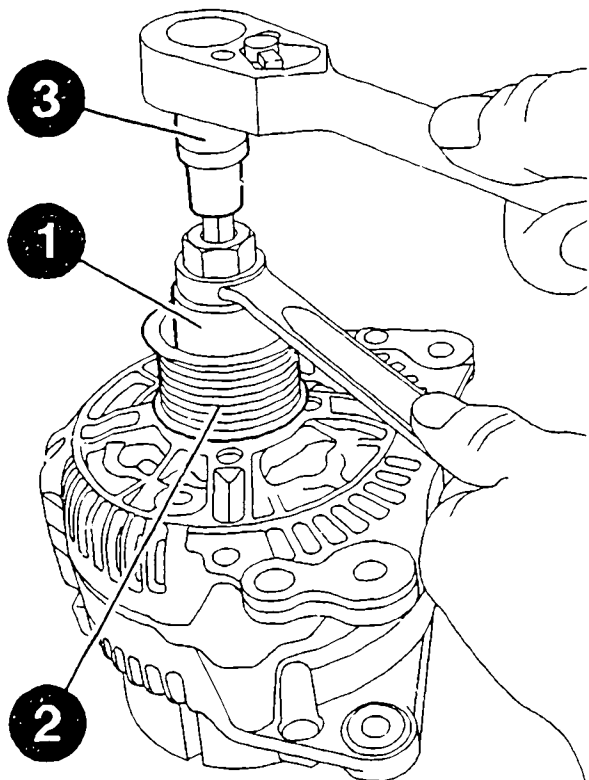
Attach socket wrench (1) to nut of pulley (2). Hold rotor shaft of alternator with multi-point wrench (3) and unfasten nut using 22 mm box wrench.

Detach pulley and spring lock washer.

Socket wrench:	0 986 618 152
M10 multi-point socket, long version:	comm. avail.

Continue: II01/1 Fig.: I28/2

KME00552



DISASSEMBLING AND CHECKING ALTERNATOR

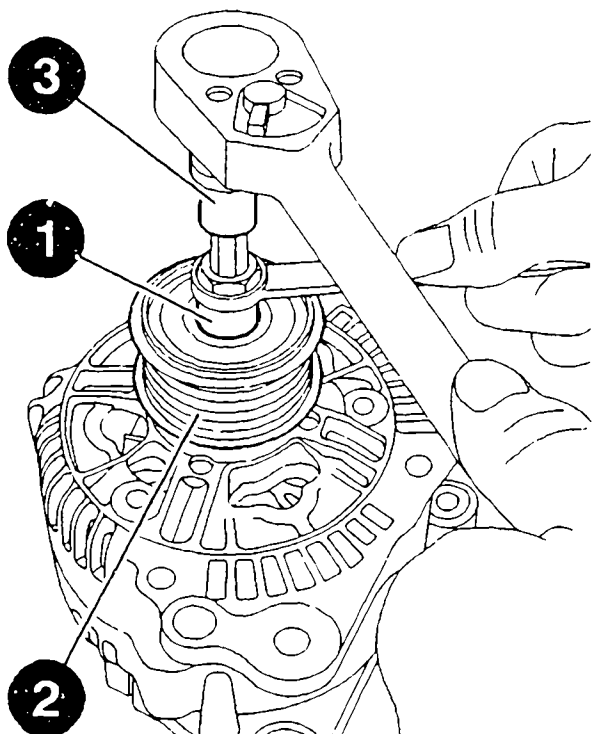
Disassembling pulley (free-wheel pulley)

Insert disassembly tool (1) in grooved tothing of free-wheel pulley (2). Hold rotor shaft of alternator with multi-point wrench (3), unfasten free-wheel pulley by means of disassembly tool using 17 mm box wrench and detach.

Disassembly tool:	0 986 619 396
M10 multi-point socket, long version:	comm. avail.

Continue: I25/1 Fig.: II01/2

KME00553



DISASSEMBLING AND CHECKING ALTERNATOR

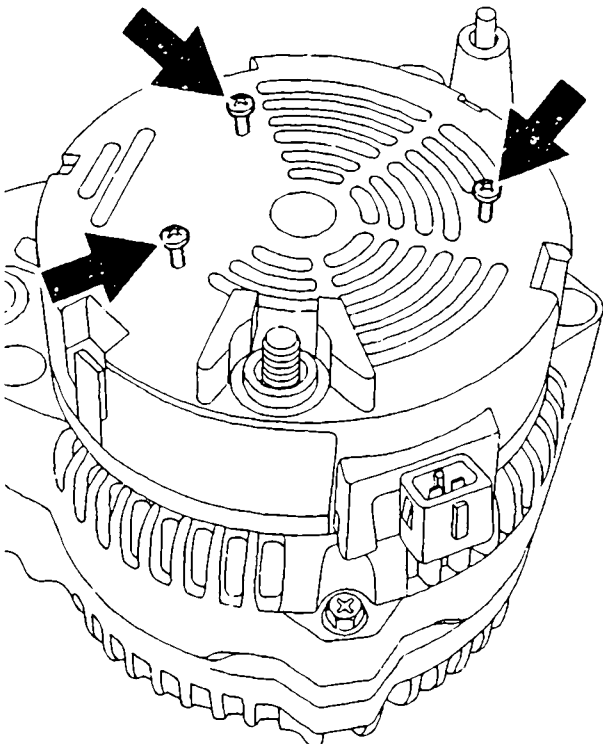
Disassembling protective cap

Unfasten connections B+, D+ and terminal W (if fitted).

Unscrew bolts (arrow) of protective cap.

Continue: II03/1 Fig.: II02/2

KME00554



DISASSEMBLING AND CHECKING ALTERNATOR

Disassembling protective cap

Detachment of protective cap involves inserting two supporting blocks (1) in the openings of the protective cap fastener (clips).

Bend (2) third clip outwards slightly by hand.

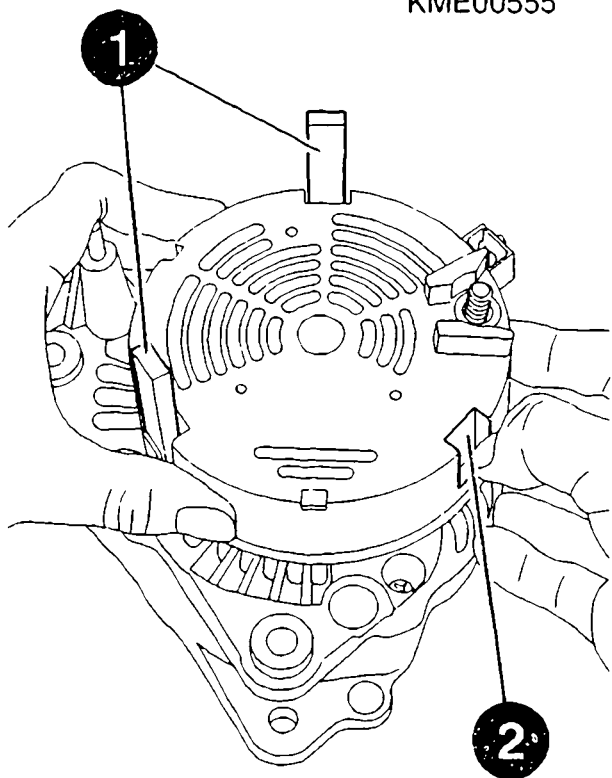
NOTE:

Take care not to bend clips too far to avoid breakage.

Supporting blocks: 0 986 618 168

Continue: II04/1 Fig.: II03/2

KME00555

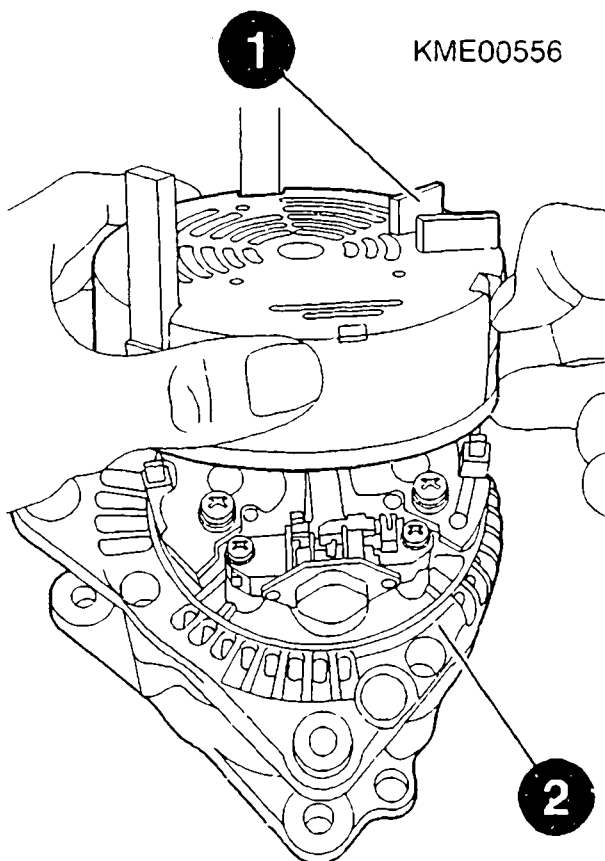


DISASSEMBLING AND CHECKING ALTERNATOR

Disassembling protective cap

Detach protective cap (1) from collector ring end shield and rectifier unit (2).

Continue: I25/1 Fig.: II04/2



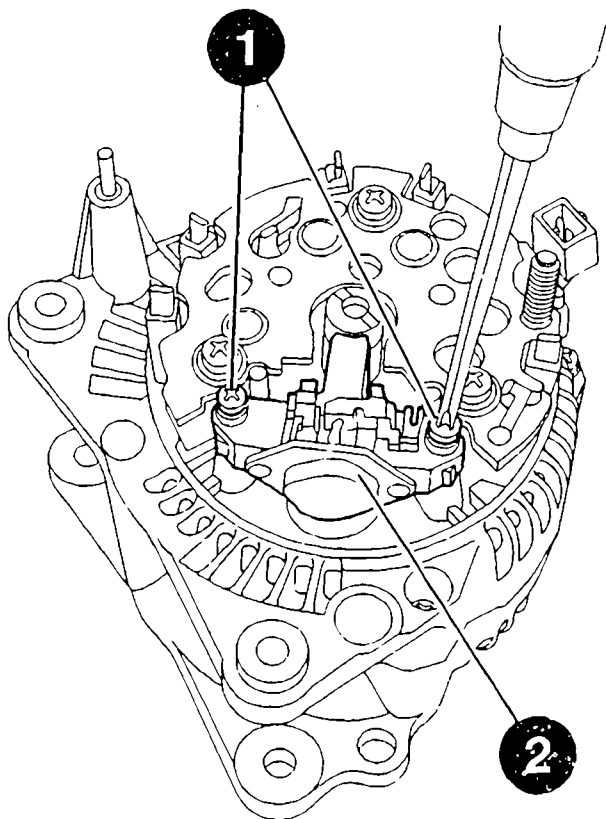
DISASSEMBLING AND CHECKING ALTERNATOR

Disassembling regulator

Unfasten and remove bolts (1) of regulator (2).

Continue: II06/1 Fig.: II05/2

KME00557



DISASSEMBLING AND CHECKING ALTERNATOR

Disassembling regulator

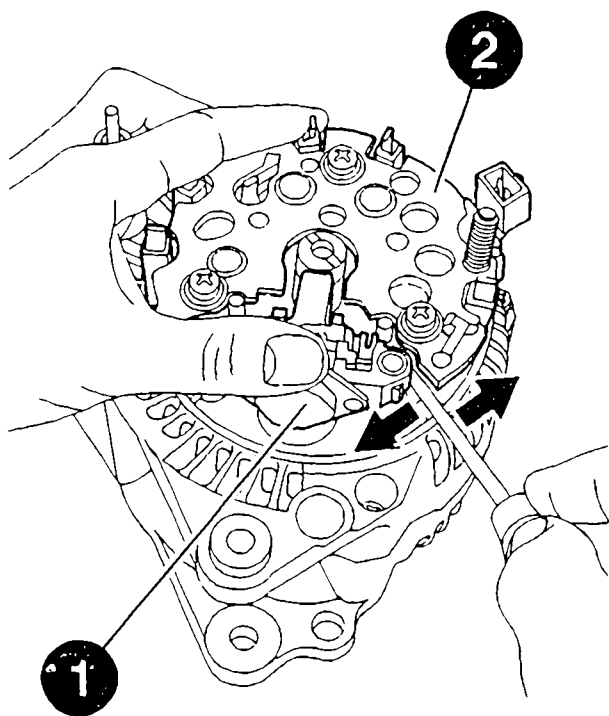
If necessary, use screwdriver to unclip regulator (1) outwards from rectifier unit (2) and detach.

ATTENTION:

Take care not to damage carbon brushes when doing so.

Continue: I25/1 Fig.: II06/2

KME00558



DISMANTLING AND CHECKING ALTERNATOR

Checking (installed) rectifier

GENERAL:

- * Pointer of measuring instrument must be in green band for this test.
- * Renew entire rectifier if one or more diodes defective.

Continue: II07/2

DISMANTLING AND CHECKING ALTERNATOR

- * To ensure proper functioning of rectifier, alternator is to be checked on test bench or diodes checked individually with rectifier removed.

Continue: II08/1

DISASSEMBLING AND CHECKING ALTERNATOR

Checking (installed) rectifier unit

Check function of rectifier unit when connected to alternator tester. Pay attention to switch setting "ASSEMBLY" on tester.

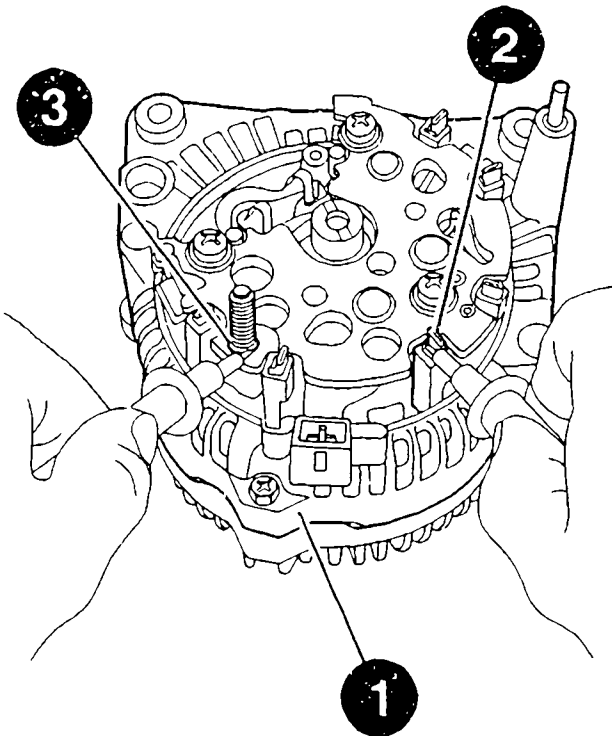
Measurement points between:

- * Housing (1) and stator connections (2)
- * B+ (3) and stator connections

Alternator tester: 0 684 201 200

Continue: I25/1 Fig.: II08/2

KME00559



DISASSEMBLING AND CHECKING ALTERNATOR

Checking (installed) stator

Check resistance between the corresponding winding ends.

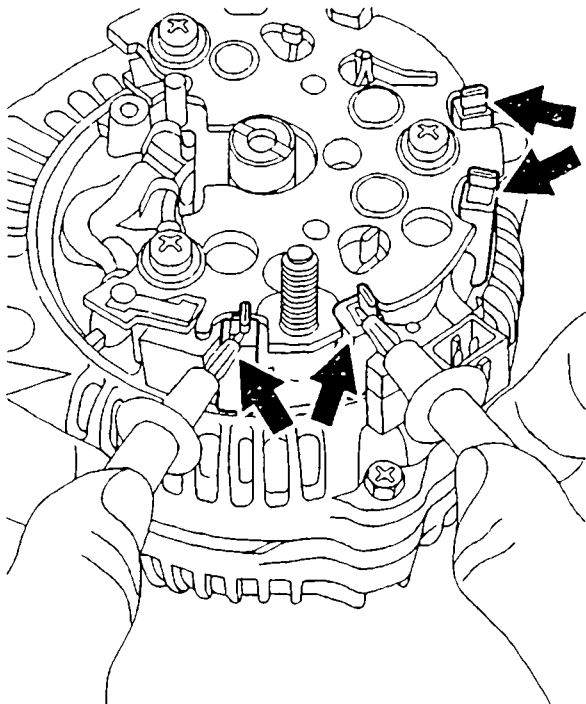
Pay attention to switch setting on alternator tester.

Heed measuring range on tester.

Stator resistance:	< 0,1 Ohm
Alternator tester:	0 684 201 200

Continue: I25/1 Fig.: II09/2

KME00560



DISASSEMBLING AND CHECKING ALTERNATOR

Disassembling drive end shield

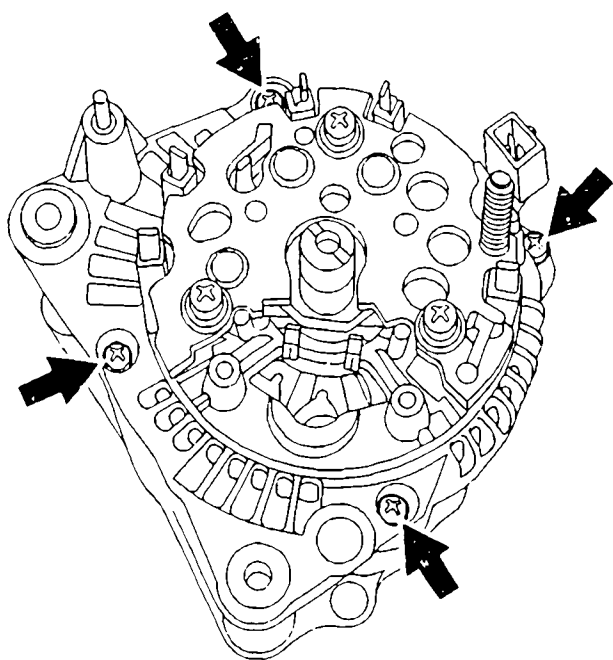
NOTE:

Prior to further disassembly of alternator, mark drive end shield and collector ring end shield to ensure that they are installed in the same position on assembly.

Unfasten and remove four hexagon bolts (arrow).

Continue: II11/1 Fig.: II10/2

KME00561



DISASSEMBLING AND CHECKING ALTERNATOR

Disassembling drive end shield

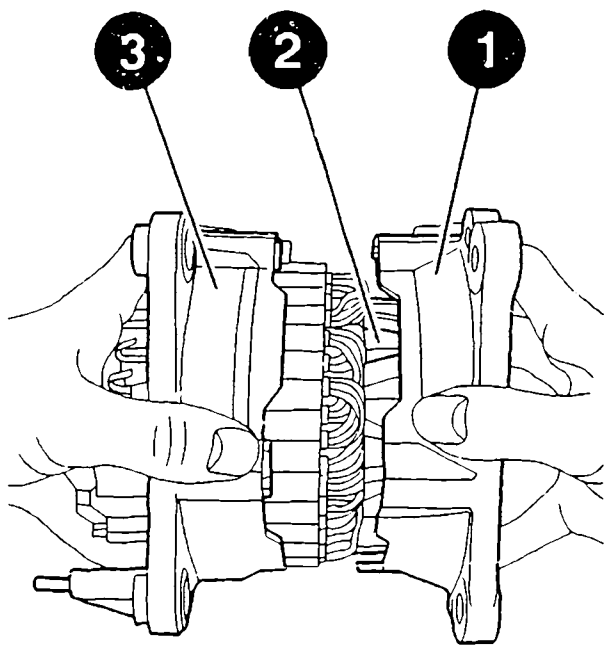
Pull drive end shield (1) with rotor (2) out of collector ring end shield (3).

NOTE:

If necessary, separate drive end shield and collector ring end shield by tapping carefully with rubber-headed hammer.

Continue: I25/1 Fig.: I111/2

KME00562



DISASSEMBLING AND CHECKING ALTERNATOR

Disassembling rotor

Position collector ring end of drive end shield with rotor (1) in support piece (2).

Use extraction tool (3) to pull drive end shield off rotor.

NOTE:

When applying extraction tool, it may be necessary to fit a separate puller arm. Apply puller arms at bearing seat of drive end shield.

Take care not to damage fan blades.

Support piece:

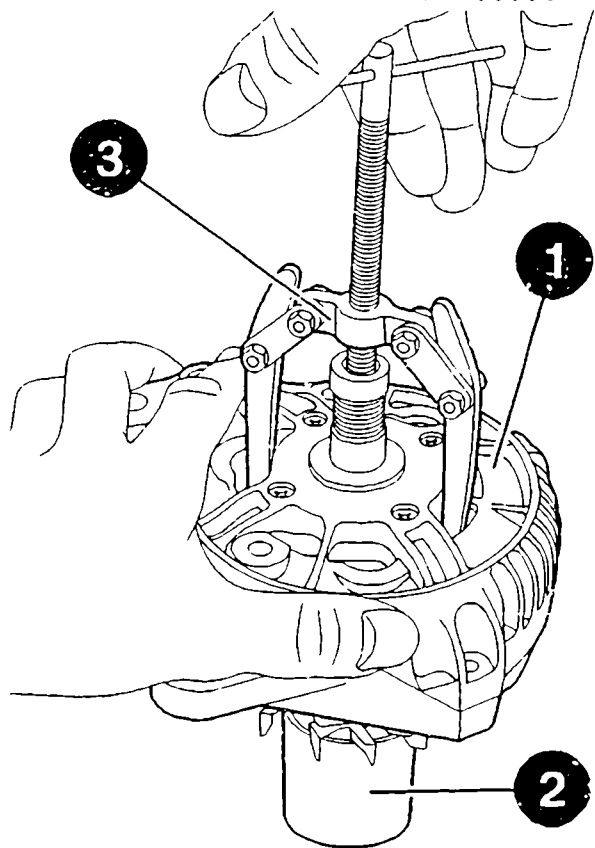
0 986 618 162

Extraction tool:

comm. avail.

Continue: II13/1 Fig.: II12/2

KME00563



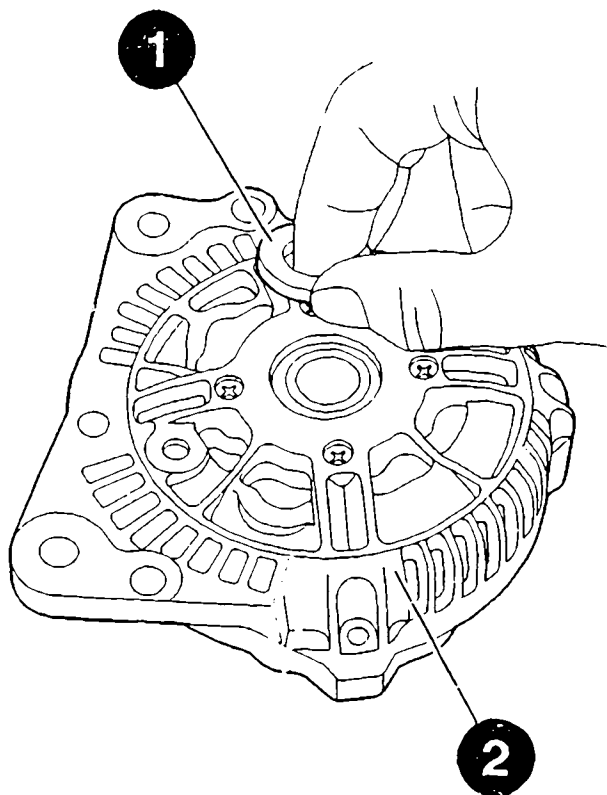
DISASSEMBLING AND CHECKING ALTERNATOR

Disassembling rotor

Detach spacer ring (1) from drive end shield (2).

Continue: I25/1 Fig.: II13/2

KME00564



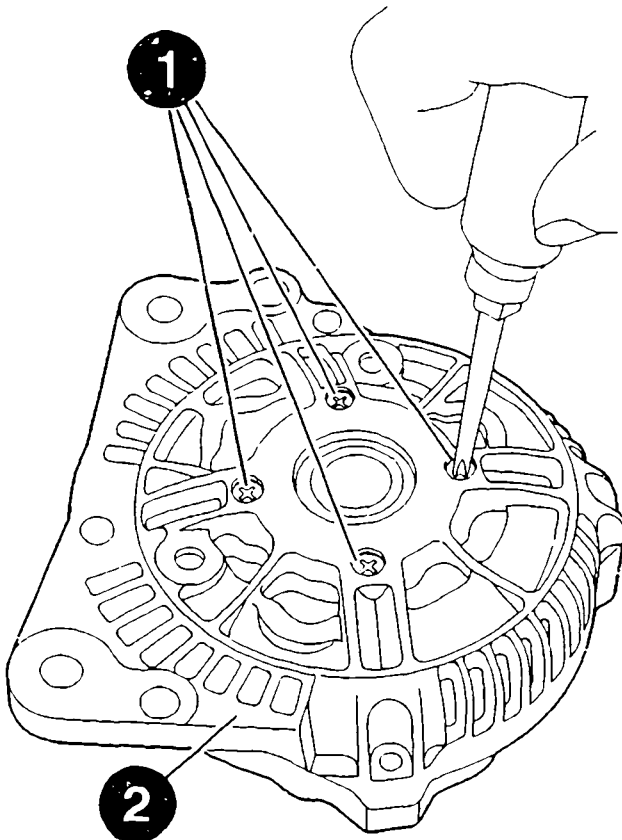
DISASSEMBLING AND CHECKING ALTERNATOR

Disassembling deep-groove ball bearing of drive end shield

Unfasten four bolts (1) of drive end shield (2).

Continue: II15/1 Fig.: II14/2

KME00565



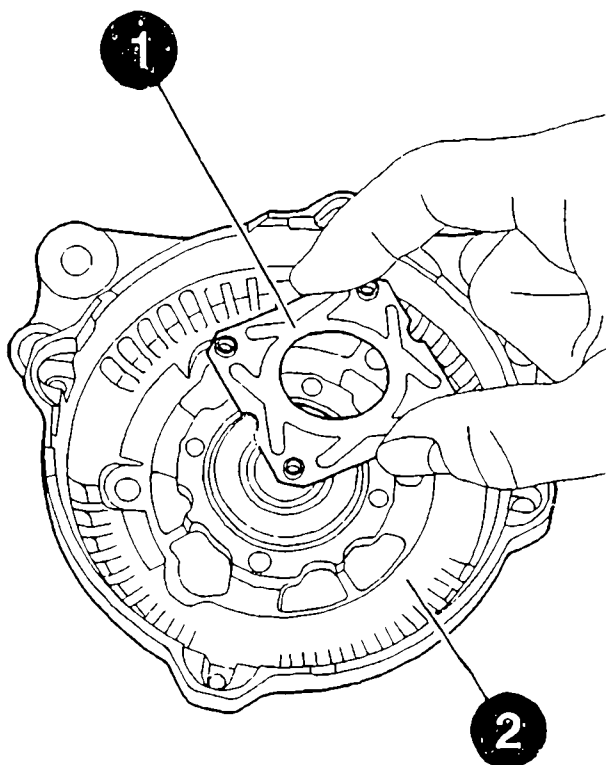
DISASSEMBLING AND CHECKING ALTERNATOR

Disassembling deep-groove ball bearing of drive end shield

Detach cover plate (1) from drive end shield (2).

Continue: II16/1 Fig.: II15/2

KME00566



DISASSEMBLING AND CHECKING ALTERNATOR

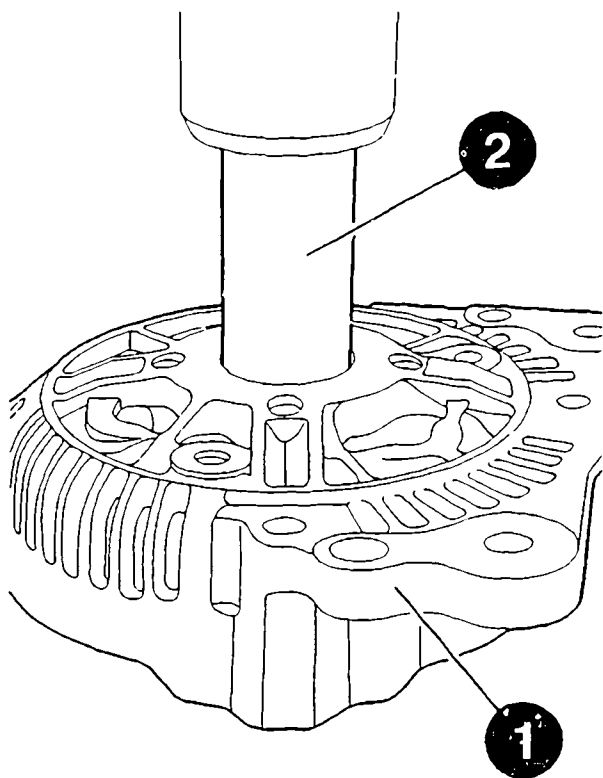
Disassembling deep-groove ball bearing of drive end shield

Position drive end shield (1) on press and press deep-groove ball bearing with pressing-in sleeve (2) out of drive end shield.

Mandrel press:	comm. avail.
Pressing-in sleeve:	0 986 618 162

Continue: I25/1 Fig.: II16/2

KME00567



DISASSEMBLING AND CHECKING ALTERNATOR

Disassembling deep-groove ball bearing of collector ring end shield

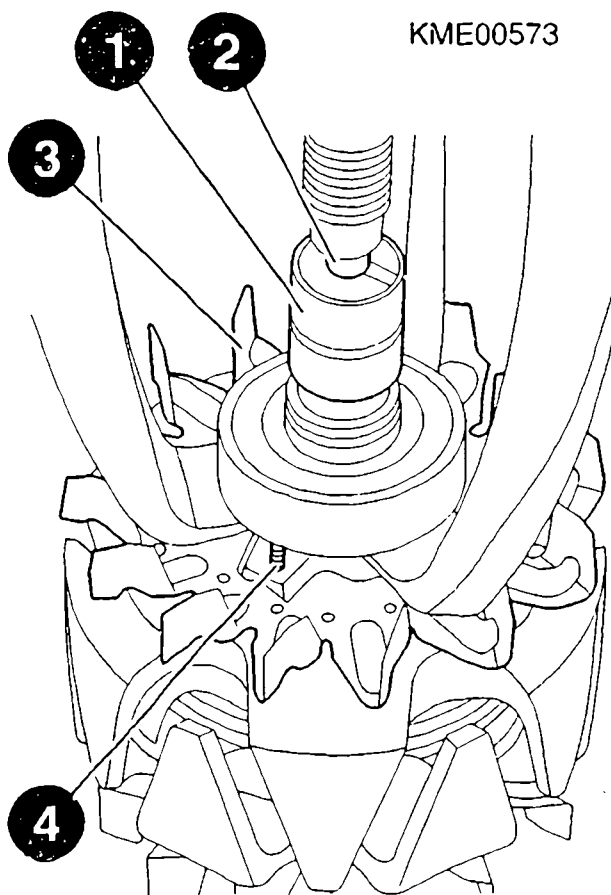
ATTENTION:

So as to avoid breaking collector ring assembly (1), pressing-off mandrel (2) must be applied to rotor shaft and never to actual collector ring assembly.

When pulling off, take care not to damage fan blades (3) and electrical connections (4) by turning claws of extraction tool.

Continue: II18/1 Fig.: II17/2

KME00573



DISASSEMBLING AND CHECKING ALTERNATOR

Disassembling deep-groove ball bearing of collector ring end shield

Position drive end of rotor (1) in support piece (2).

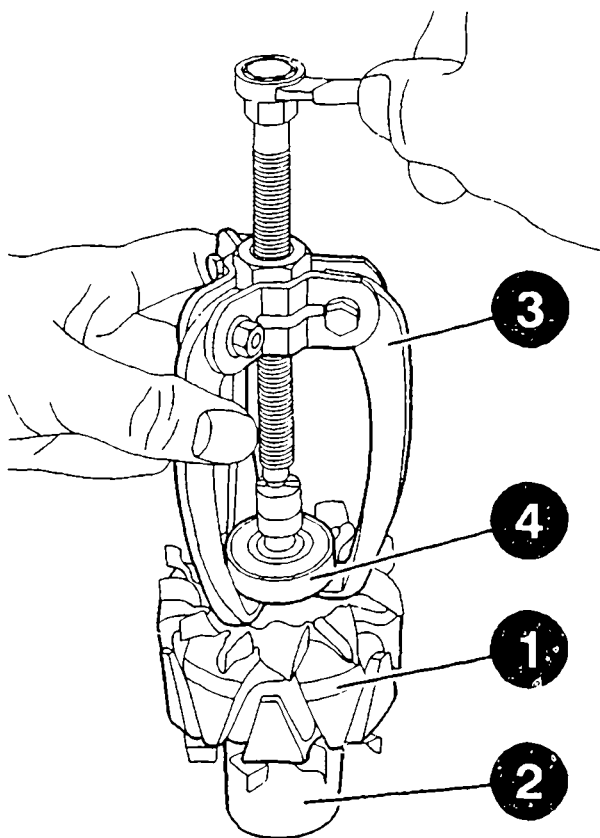
Use extraction tool (3) to pull deep-groove ball bearing (4) off rotor shaft.

Support piece:
Extraction tool:

0 986 618 162
comm. avail.

Continue: I25/2 Fig.: II18/2

KME00568



DISASSEMBLING AND CHECKING ALTERNATOR

Disassembling rectifier unit

NOTE:

If checking with oscilloscope reveals that rectifier unit is OK, it is not necessary to separate rectifier unit/stator.

Continue: II20/1

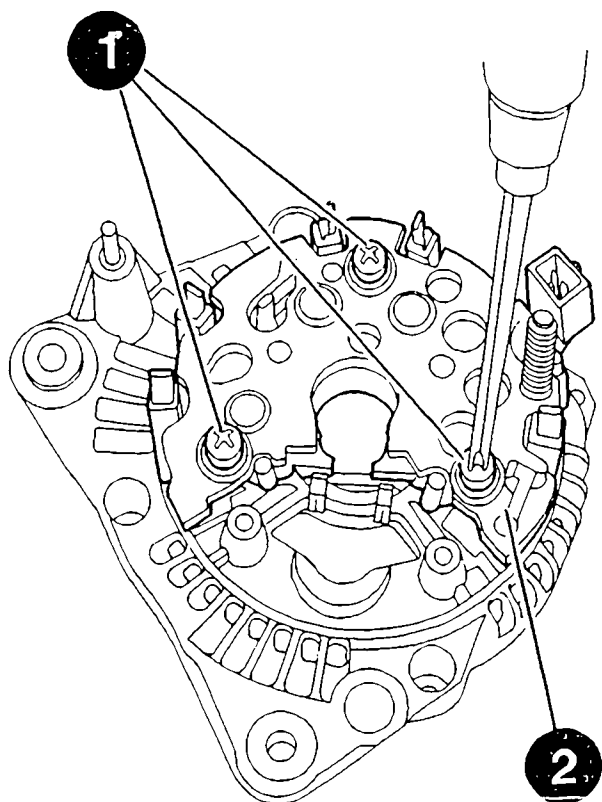
DISASSEMBLING AND CHECKING ALTERNATOR

Disassembling rectifier unit

Remove bolts (1) of rectifier unit (2).

Continue: II21/1 Fig.: II20/2

KME00569



DISASSEMBLING AND CHECKING ALTERNATOR

Disassembling rectifier unit

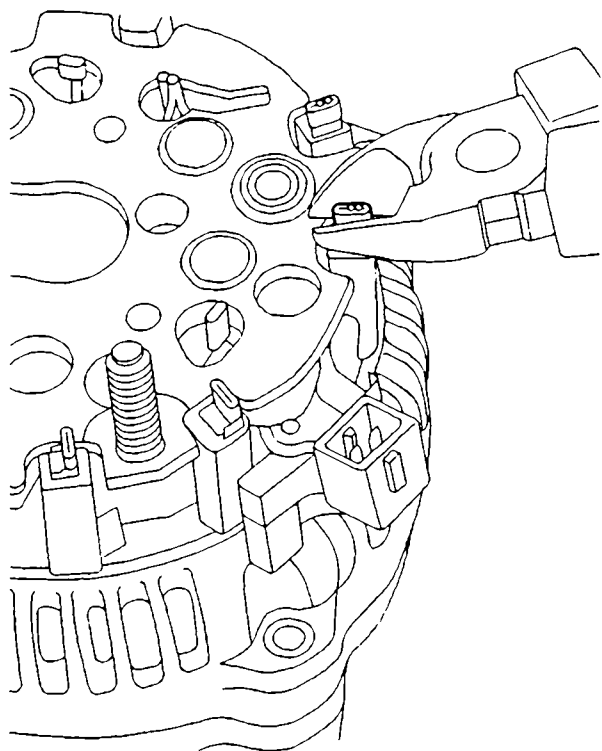
Use suitable tool e.g. side-cutting pliers to pinch off all stator wire holders directly beneath clamping point.

NOTE:

Second lower clamping point of stator wire holders is used for rectifier unit assembly.

Continue: II22/1 Fig.: II21/2

KME00570



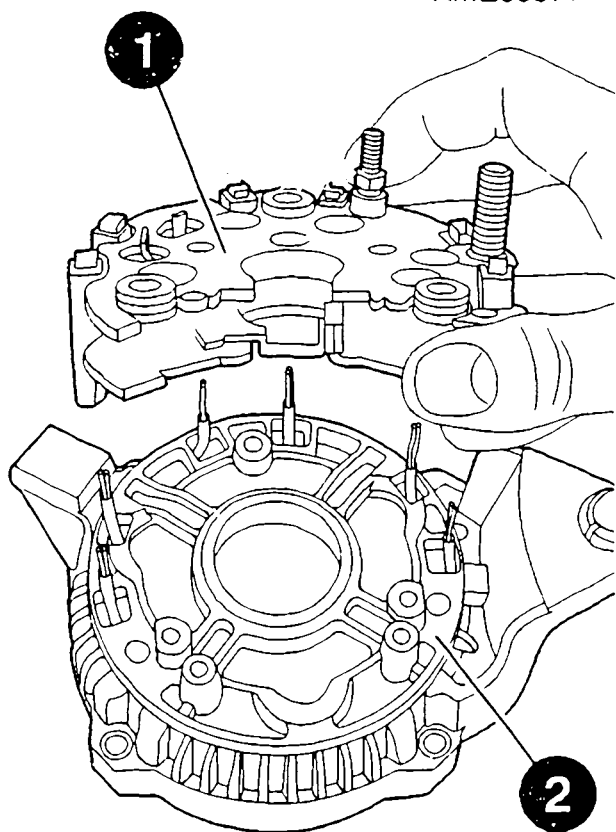
DISASSEMBLING AND CHECKING ALTERNATOR

Disassembling rectifier unit

Detach rectifier unit (1) from collector ring end shield (2).

Continue: I25/2 Fig.: II22/2

KME00571



DISASSEMBLING AND CHECKING ALTERNATOR

Disassembling stator

Mark position of stator (1) with respect to collector ring end shield (2).

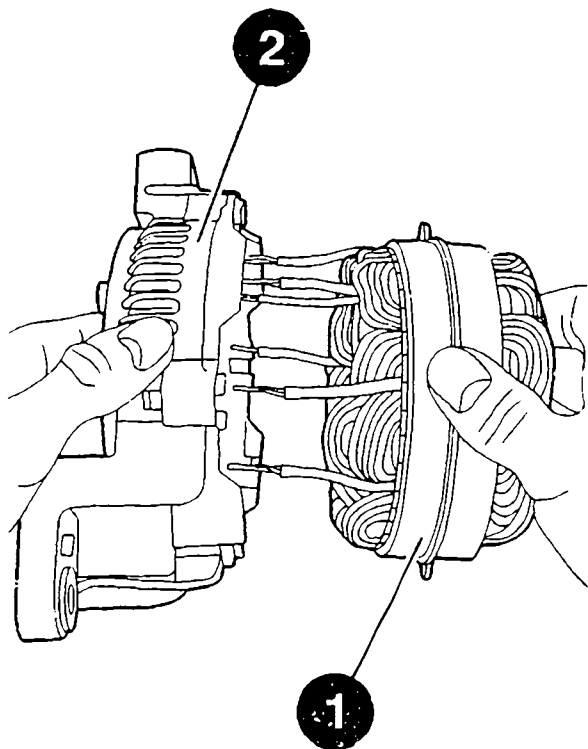
Pull stator out of collector ring end shield.

NOTE:

If necessary, separate stator and collector ring end shield by tapping carefully with rubber-headed hammer.

Continue: I01/1 Fig.: II23/2

KME00572



COMPONENT CLEANING

ATTENTION: DANGER OF FIRE

For transmitter and receiver interference suppression purposes, alternators are fitted with capacitors with a long storage time.

When washing out alternator components, immersion in cleaning fluid may result in capacitor discharge and cause flammable liquids to ignite.

Continue: II24/2

COMPONENT CLEANING

For this reason, components with capacitors are only to be washed out using cleaning agents (e.g. HAKU 1025/6) which are not readily flammable.

Continue: II25/1

COMPONENT CLEANING

Always heed the following safety regulations:

- * German Order governing the use of flammable liquids (VbF).
 - * Accident prevention regulations for electrical systems and equipment.
 - * Safety regulations for the handling of chlorinated hydrocarbons:
 - For companies: ZH 1/222
 - For employees: ZH 1/129
- issued by the German industrial liability insurance associations (central association for accident prevention and industrial medicine), Langwartweg 103, 53129 Bonn.

Continue: II25/2

COMPONENT CLEANING

Outside Germany, pay attention to appropriate local regulations.

Skin protection:

To avoid skin irritation when handling oil and grease, apply hand cream before starting work and wash cream off when finished with soap and water.

Continue: I01/1

ALTERNATOR CHECKING/REPAIR TABLE

Checking regulator and carbon brushes	II27/1
Checking (removed) rectifier unit	II28/1
Checking interference suppression capacitor	III02/1
Checking (removed) stator	III04/2
Checking rotor (short to ground)	III06/1
Checking rotor (resistance)	III08/1
Checking rotor (concentricity)	III09/1
Replacing fitting ring in collector ring end shield	III11/1

Continue: I01/1

CHECKING AND REPAIRING ALTERNATOR

Checking regulator and carbon brushes

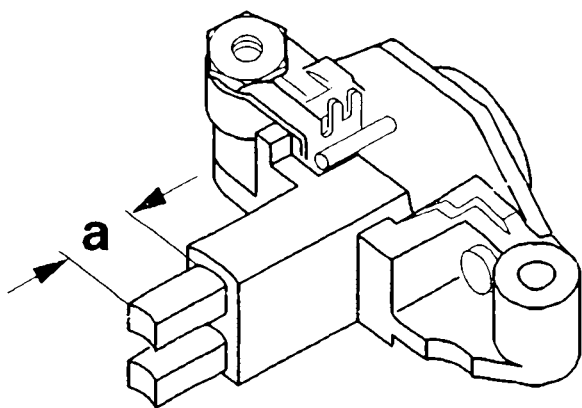
Check regulator for external damage. Replace regulator/carbon brushes if carbon brushes have broken off or if projection "a" is less than 5 mm. Check freedom of movement of carbon brushes.

Projection of carbon brushes

New:	12,5 mm
Min.:	5 mm

Continue: II26/1 Fig.: II27/2

KME00164



CHECKING AND REPAIRING ALTERNATOR

Checking (removed) rectifier unit

GENERAL:

- * Checking of the individual diodes must be performed to ensure proper functioning of the rectifier unit.
- * The diodes are to be checked in both forward and reverse direction.

Continue: II28/2

CHECKING AND REPAIRING ALTERNATOR

- * Pointer of measuring instrument must be in green zone when checking in forward direction.
- * Pointer of measuring instrument must be in red zone when checking in reverse direction.

Continue: III01/1

CHECKING AND REPAIRING ALTERNATOR

Checking (removed) rectifier

Render measurement points mechanically bright.

Heed general notes.

Check function of rectifier unit with alternator tester. Pay attention to switch setting "INDIVIDUAL CHECK" on tester.

Measurement points between:

* B+ (1) and diode connections (2)

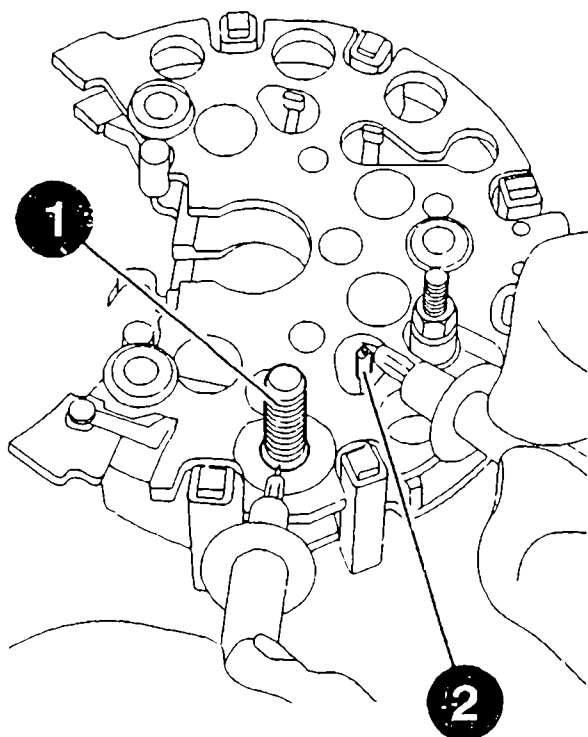
* Diode housing and diode connections

Alternator tester:

0 684 201 200

Continue: II26/1 Fig.: III01/2

KME00574

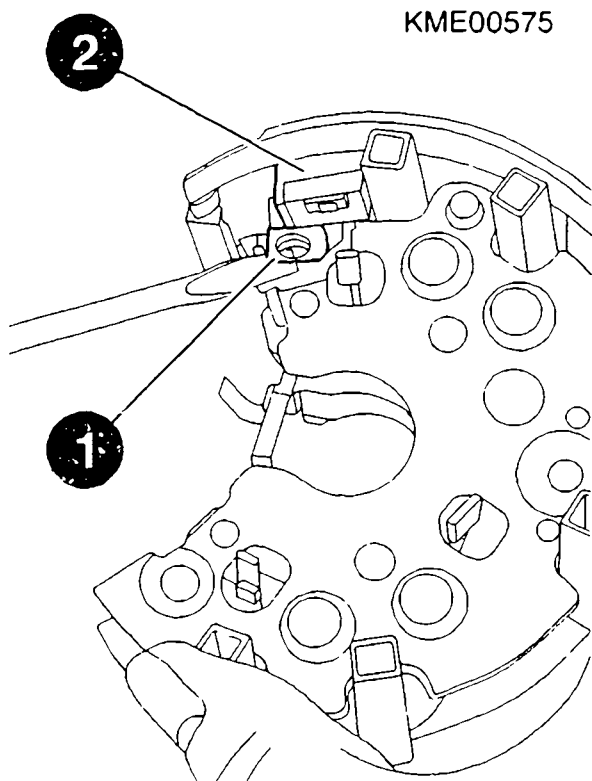


CHECKING AND REPAIRING ALTERNATOR

Checking interference suppression capacitor

Detach terminal lug B- (1) of interference suppression capacitor (2) from rectifier unit.

Continue: III03/1 Fig.: III02/2



CHECKING AND REPAIRING ALTERNATOR

Checking interference suppression capacitor

Measure capacitance of capacitor between B+ (1) and terminal lug (2).

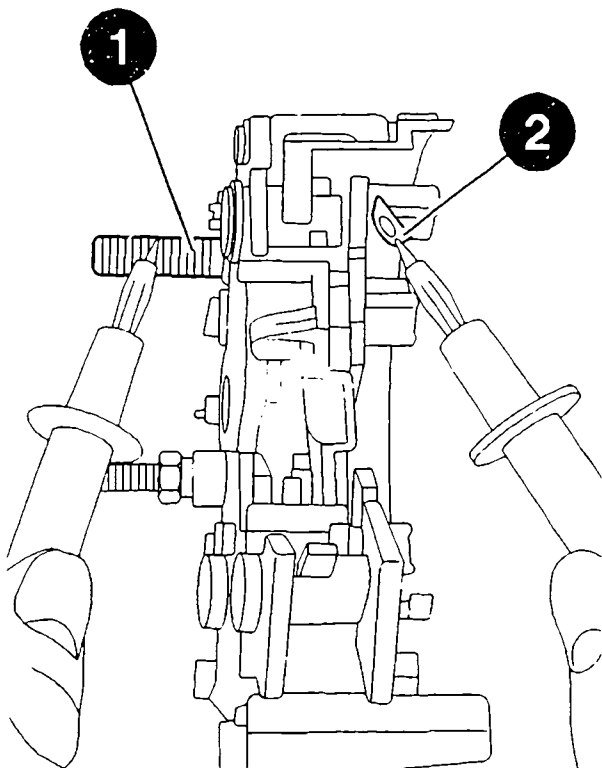
Renew defective rectifier unit if set value is not attained.

Set value: 2,0...2,4 microfarads

Electrical system tester: 0 684 101 400

Continue: III04/1 Fig.: III03/2

KME00576



CHECKING AND REPAIRING ALTERNATOR

Checking interference suppression capacitor

ATTENTION:

After checking, short and discharge interference suppression capacitor to prevent ignition of cleaning fluid when cleaning components.

Continue: II26/1

CHECKING AND REPLACING ALTERNATOR

Checking (removed) stator

ATTENTION:

Voltages of 80 V are POTENTIALLY FATAL.

When performing this check, it is imperative to ensure proper handling of the stator and all parts in electrical contact with it.

Continue: III05/1

CHECKING AND REPAIRING ALTERNATOR

Checking (removed) stator

Use test prods (1) to check stator for short to ground between housing (2) and winding ends (3).

Replace stator if defective.

Test voltage: 80 V AC

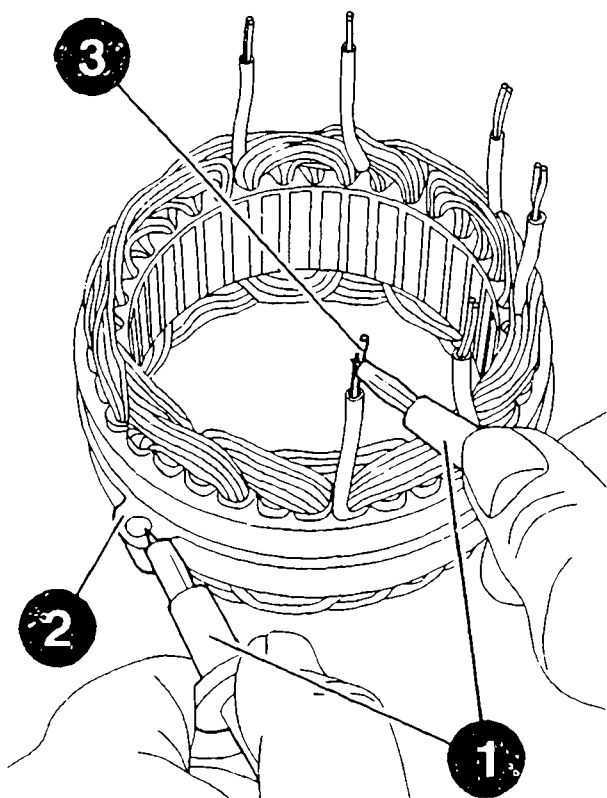
Interturn short-circuit

tester: 0 986 619 110

Test prods: 0 986 619 101

Continue: II26/1 Fig.: III05/2

KME00577



CHECKING AND REPLACING ALTERNATOR

Checking rotor (short to ground)

ATTENTION:

Voltages of 80 V are POTENTIALLY
FATAL.

When performing this check, it is imperative to ensure proper handling of the rotor and all parts in electrical contact with it.

Continue: III07/1

CHECKING AND REPAIRING ALTERNATOR

Checking rotor (short to ground)

Use interturn short-circuit tester and test prods to check rotor for short to ground between collector ring (1) and rotor OD (2).

Test voltage: 80 V AC

Interturn short-circuit
tester:

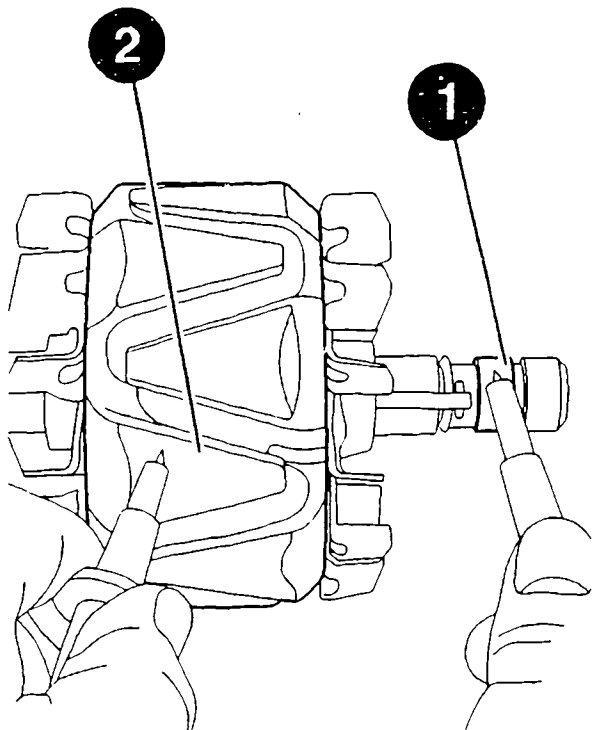
0 986 619 110

Test prods:

0 986 619 101

Continue: II26/1 Fig.: III07/2

KME00578



CHECKING AND REPAIRING ALTERNATOR

Checking rotor (resistance)

Use alternator tester to measure rotor resistance between collector rings. Observe measuring range on tester.

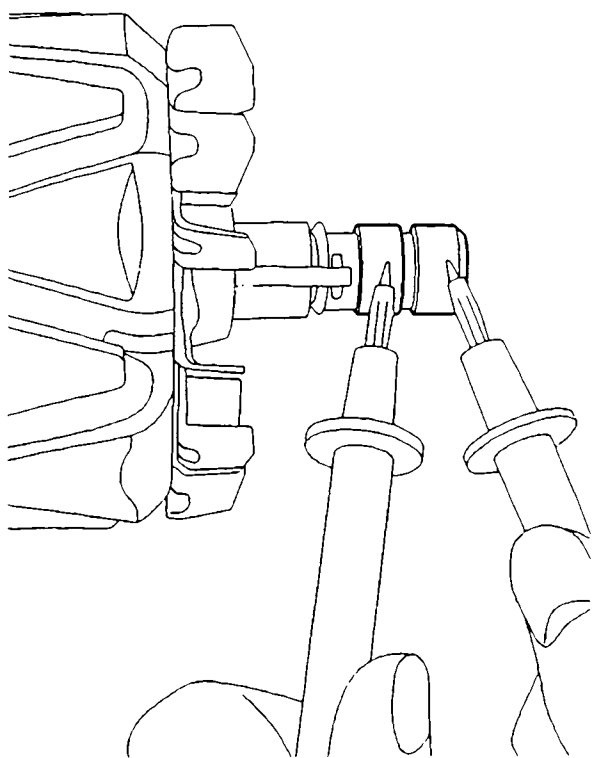
Rotor resistance
(14V version): 1,8...2,8 Ohm

Rotor resistance
(28V version): 7,2...8,8 Ohm

Alternator tester: 0 684 201 200

Continue: II26/1 Fig.: III08/2

KME00579



CHECKING AND REPAIRING ALTERNATOR

Checking rotor (concentricity)

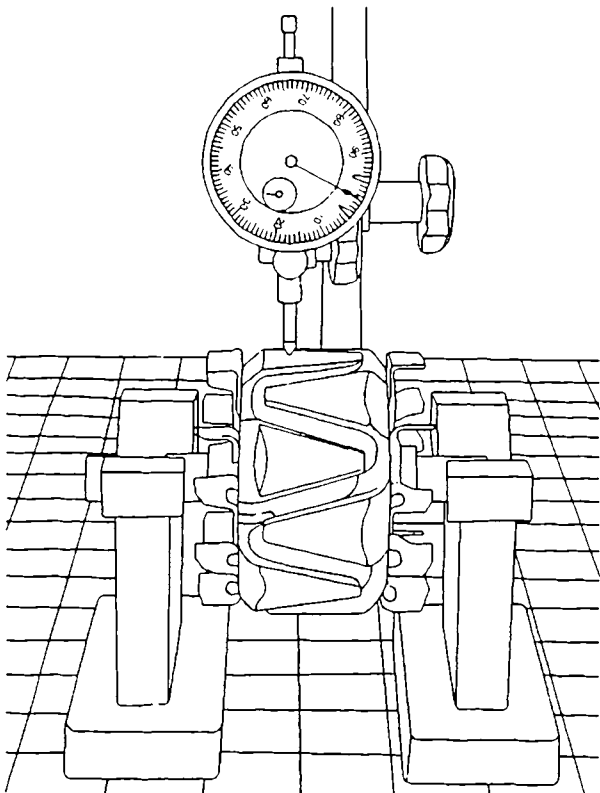
Position mounting points of rotor in V-blocks and perform precise horizontal alignment. Measure concentricity at OD of rotor with magnetic measurement stand and dial gauge.

Max. radial run-out at rotor OD: 0,05 mm

Two V-blocks:	comm. avail.
Dial gauge:	1 687 233 011
Magnetic measurement stand:	4 851 601 124

Continue: III10/1 Fig.: III09/2

KME00580



CHECKING AND REPAIRING ALTERNATOR

Checking rotor (concentricity)

Measure concentricity at collector rings.

Max. radial run-out of collector rings: 0,03 mm

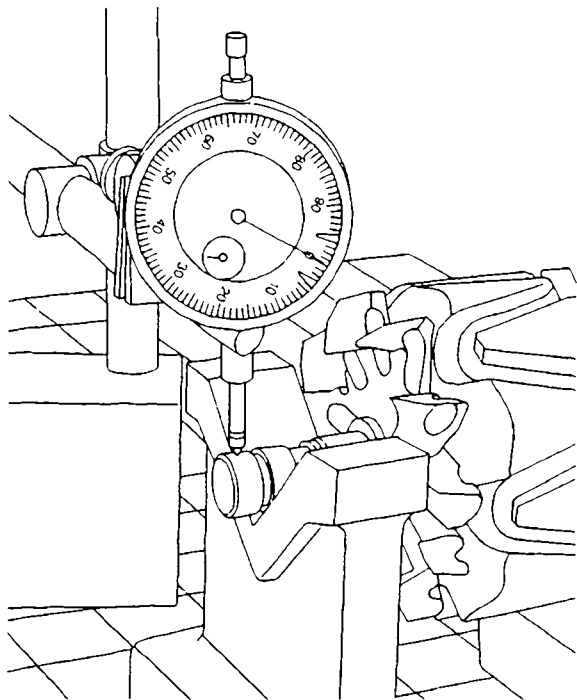
In the event of greater deviation or worn surface, turn down collector rings or renew rotor.

Pay attention to minimum diameter.

Min. diameter of collector rings: 14,9 mm

Continue: II26/1 Fig.: III10/2

KME00581



CHECKING AND REPAIRING ALTERNATOR

Replacing fitting ring in collector ring end shield

Fitting ring is always to be replaced.

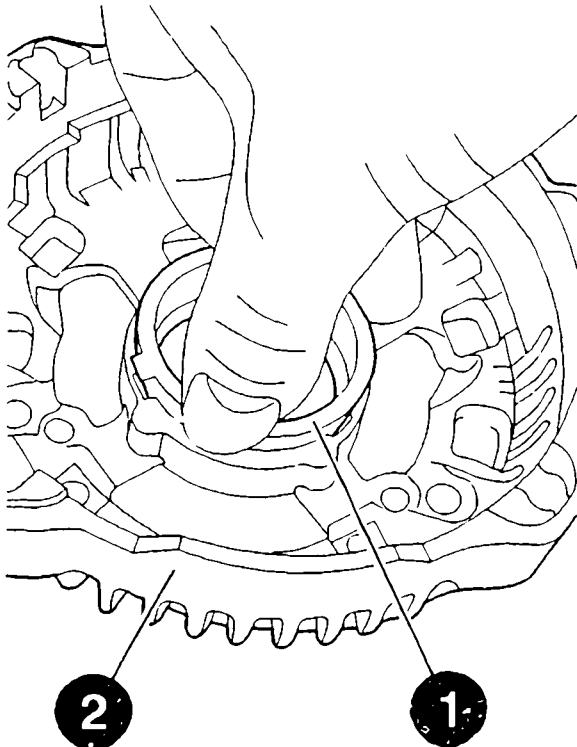
Insert new fitting ring (1) in collector ring end shield (2).

NOTE:

In the case of fitting rings with collector ring protection, recess for carbon brushes must be located between the two tapped holes for regulator attachment.

Continue: I01/1 Fig.: III11/2

KME00582



ALTERNATOR ASSEMBLY TABLE

Assembling deep-groove ball bearing of collector ring end shield	III13/1
Assembling deep-groove ball bearing of drive end shield	III15/1
Assembling rotor	III17/1
Assembling stator	III18/1
Assembling rectifier unit	III19/1
Assembling drive end shield and collector ring end shield	III23/1
Assembling regulator	III25/1
Assembling protective cap	III26/1
Assembling pulley	III28/1
Fitting connections	IV04/1

Continue: I01/1

ASSEMBLING ALTERNATOR

Assembling deep-groove ball bearing of collector ring end shield

Use is always to be made of a new deep-groove ball bearing.

Mount drive end of rotor (1) on support piece (2).

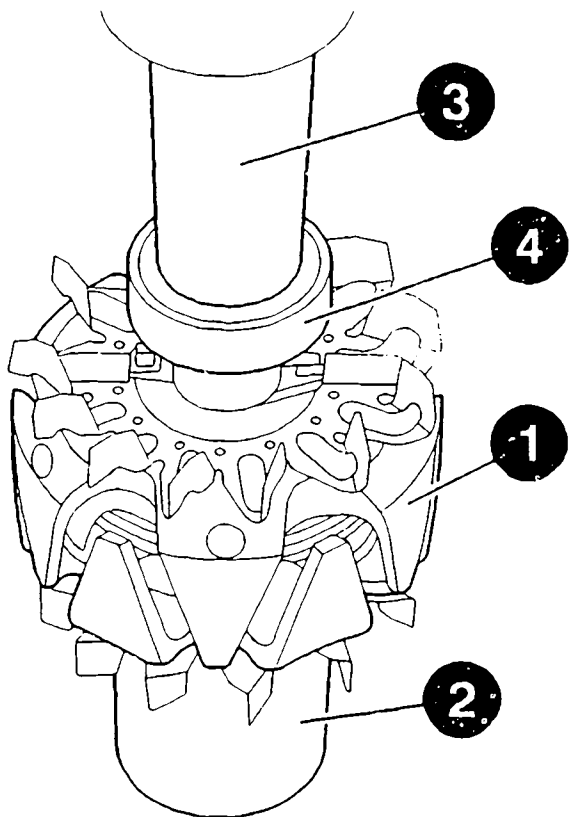
Centrally align pressing-in sleeve (3) with new deep-groove ball bearing (4).

ATTENTION:

Failure to center pressing-in sleeve may result in damage to collector ring assembly.

Continue: III14/1 Fig.: III13/2

KME00583



ASSEMBLING ALTERNATOR

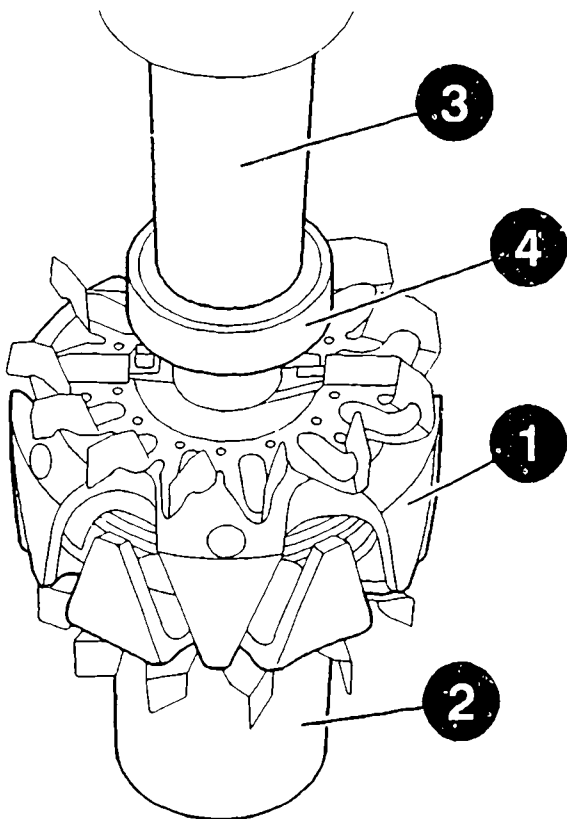
Assembling deep-groove ball bearing
of collector ring end shield

Press home deep-groove ball bearing.

Mandrel press:	comm. avail.
Support piece and pressing-in sleeve:	0 986 618 162

Continue: III12/1 Fig.: III14/2

KME00583



ASSEMBLING ALTERNATOR

Assembling deep-groove ball bearing of drive end shield

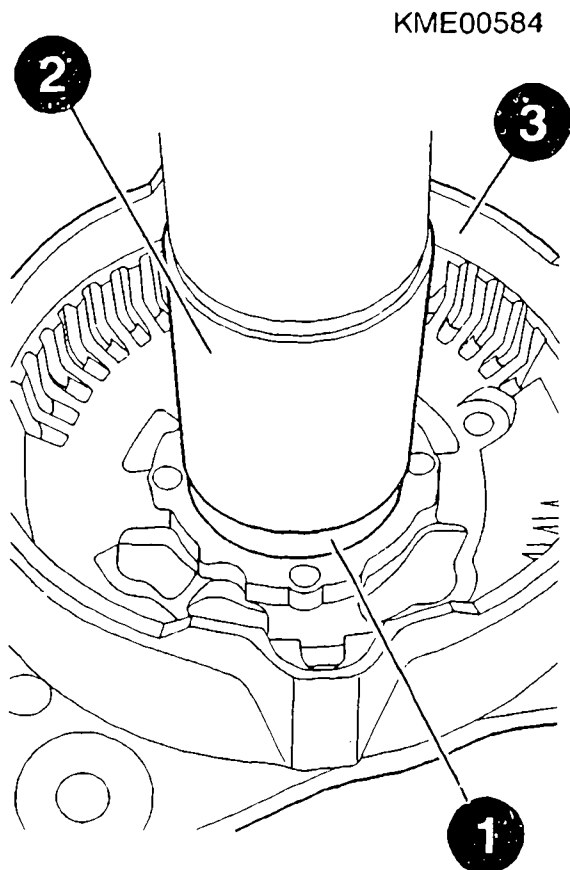
Use is always to be made of a new deep-groove ball bearing, new bolts and a new cover plate.

Press new deep-groove ball bearing (1) with support piece (2) into drive end shield (3).

Support piece:
Mandrel press:

0 986 618 162
comm. avail.

Continue: III16/1 Fig.: III15/2



ASSEMBLING ALTERNATOR

Assembling deep-groove ball bearing of drive end shield

Attach cover plate with four bolts (1) to drive end shield (2). Make use of torque wrench.

NOTE:

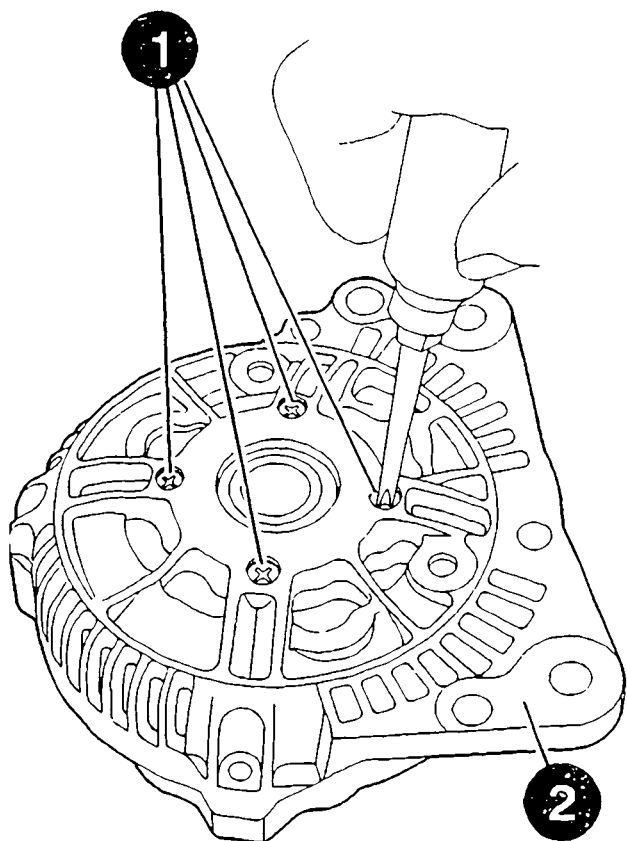
Collar of bolt holes of cover plate faces away from deep-groove ball bearing.

Tightening torque: 2,7...3,5 Nm

Torque wrench: comm. avail.

Continue: III12/1 Fig.: III16/2

KME00585



ASSEMBLING ALTERNATOR

Assembling rotor

Position collector ring end of rotor (1) in support piece (2).

Position drive end shield (3) on rotor.

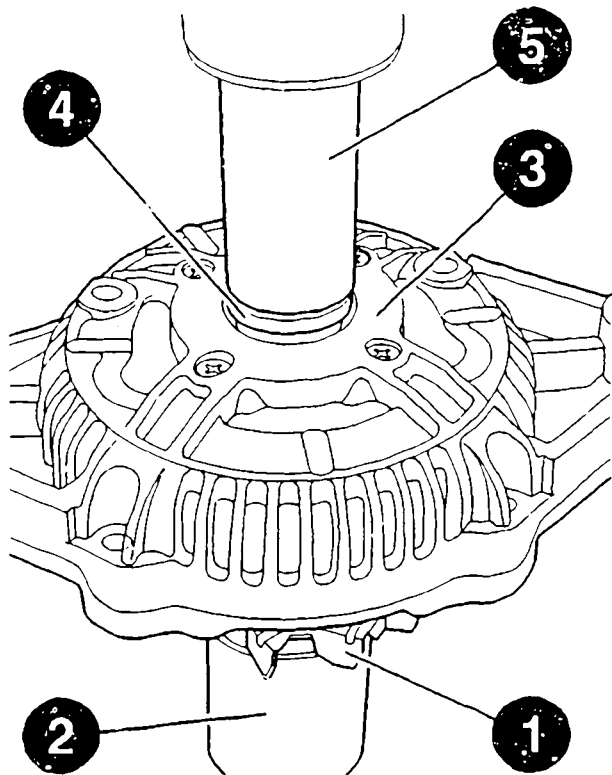
Press drive end shield with pressing-in sleeve onto rotor.

Position spacer ring (4) (small collar facing deep-groove ball bearing, large collar facing pulley) on rotor and press on with pressing-in sleeve (5).

Mandrel press:	comm. avail.
Support piece and pressing-in sleeve:	0 986 618 162

Continue: III12/1 Fig.: III17/2

KME00586



ASSEMBLING ALTERNATOR

Assembling stator

Render stator wires mechanically bright.

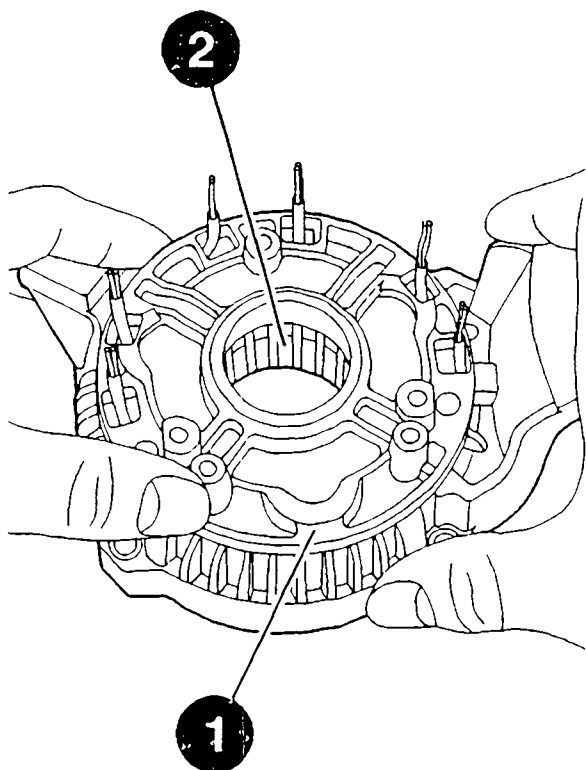
Position collector ring end shield (1) on stator (2).

Pay attention to mark.

Bend stator wires straight if necessary.

Continue: III12/1 Fig.: III18/2

KME00587



ASSEMBLING ALTERNATOR

Assembling rectifier unit

Bend back detached lug of interference suppression capacitor.

Render retainers mechanically bright.

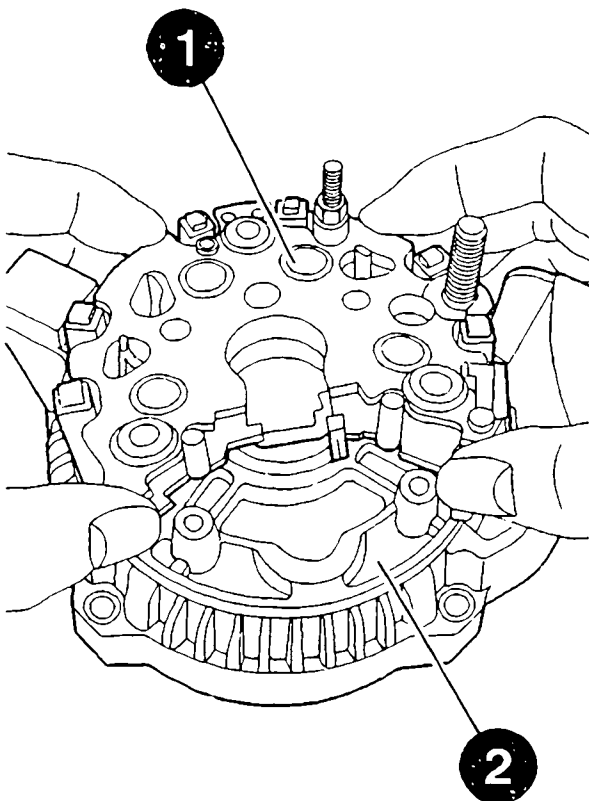
Position rectifier unit (1) on collector ring end shield (2).

NOTE:

Pay attention to proper wire routing through rectifier unit.

Continue: III20/1 Fig.: III19/2

KME00588



ASSEMBLING ALTERNATOR

Assembling rectifier unit

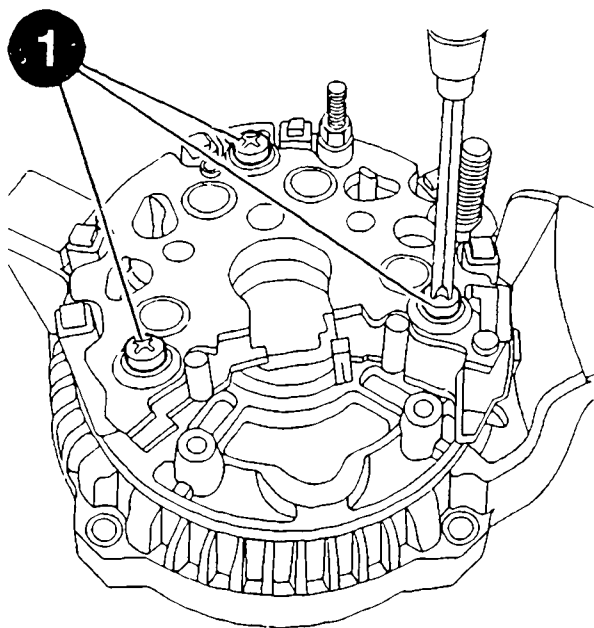
Tighten bolts (1) using torque wrench.

Tightening torque: 3,5...4,3 Nm

Torque wrench: comm. avail.

Continue: III21/1 Fig.: III20/2

KME00589



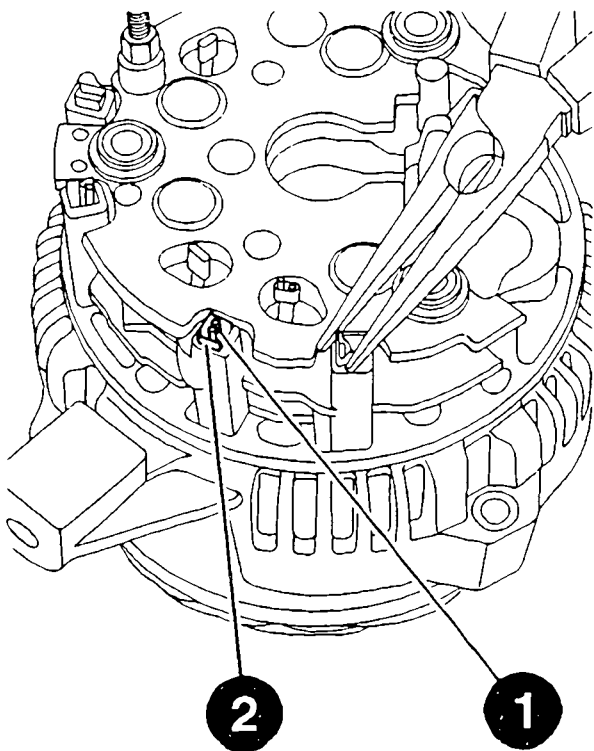
ASSEMBLING ALTERNATOR

Assembling rectifier unit

Jam in stator wires (1) by bending over retainers (2) at rectifier unit.

Continue: III22/1 Fig.: III21/2

KME00590



ASSEMBLING ALTERNATOR

Assembling rectifier unit

Solder stator wires to retainers.

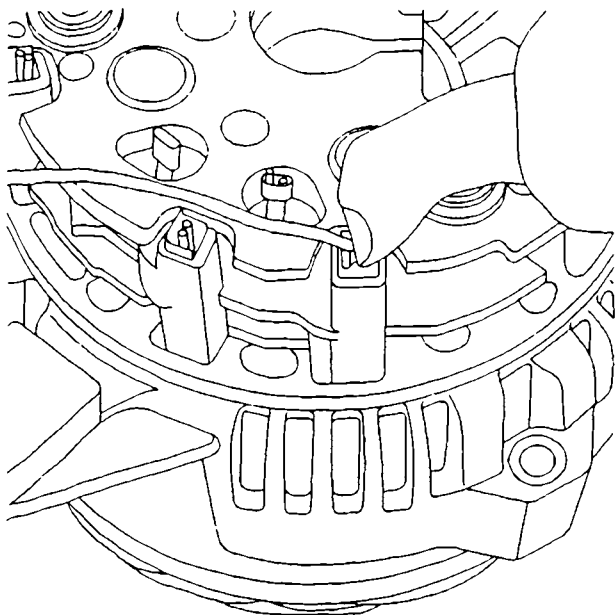
ATTENTION:

Always use high-temperature solder
(min. 480 C) and solder cream.

Soldering iron 180 W:	comm. avail.
Solder cream:	comm. avail.
High-temperature solder (min. 480 C):	comm. avail.

Continue: III12/1 Fig.: III22/2

KME00591



ASSEMBLING ALTERNATOR

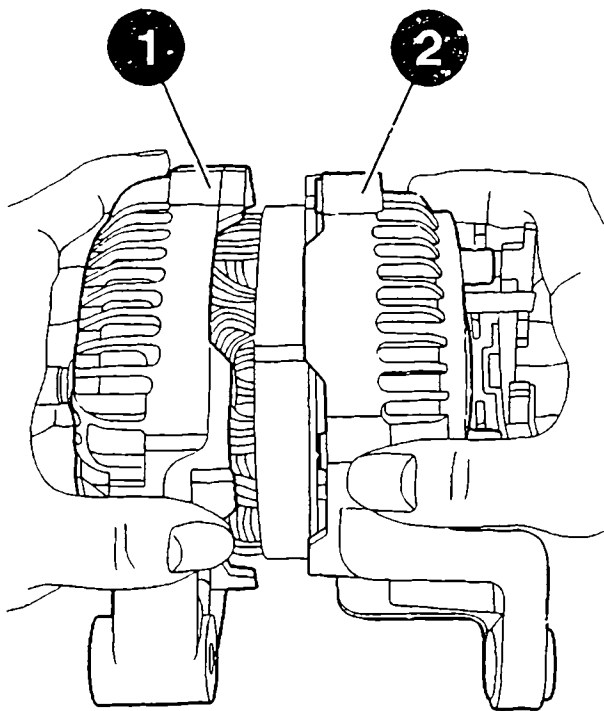
Assembling drive end shield and collector ring end shield

Insert rotor together with drive end shield (1) in collector ring end shield (2).

Align marks made prior to alternator disassembly on collector ring end shield and drive end shield.

Continue: III24/1 Fig.: III23/2

KME00592



ASSEMBLING ALTERNATOR

Assembling drive end shield and
collector ring end shield

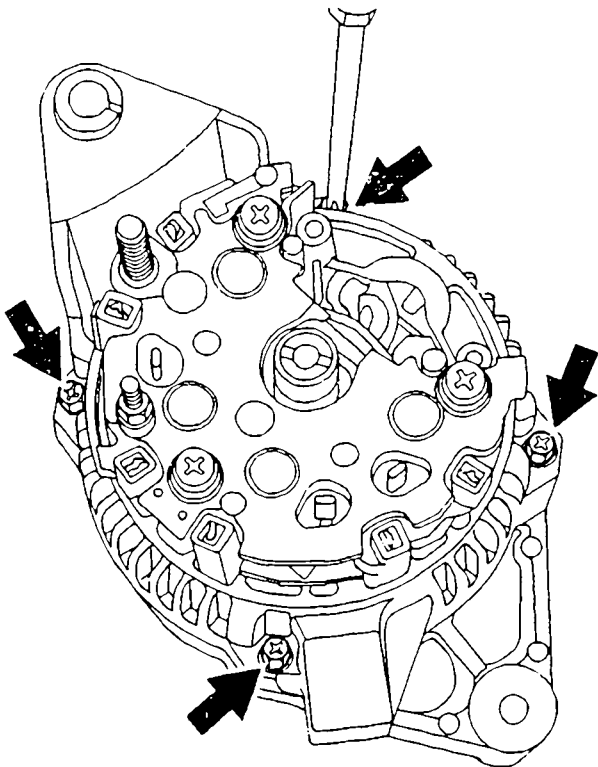
Fit bolts (arrows) and then tighten
using torque wrench.

Tightening torque: 4,5...5,5 Nm

Torque wrench: comm. avail.

Continue: III12/1 Fig.: III24/2

KME00593



ASSEMBLING ALTERNATOR

Assembling regulator

Clip in (if necessary) regulator (1) at rectifier unit (2) and secure with bolts (3).

Use torque wrench.

NOTE:

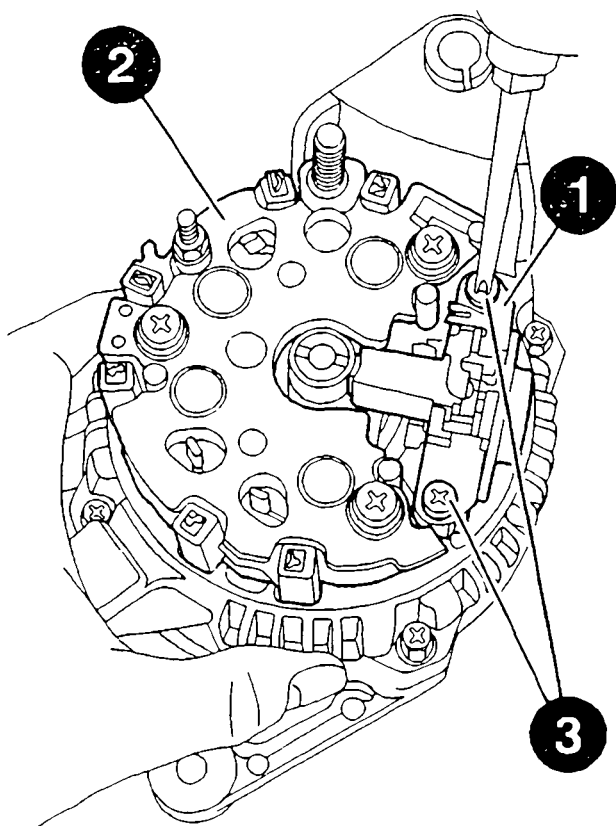
Pay attention to carbon brushes on installation.

Tightening torque: 1,6...2,3 Nm

Torque wrench: comm. avail.

Continue: III12/1 Fig.: III25/2

KME00594



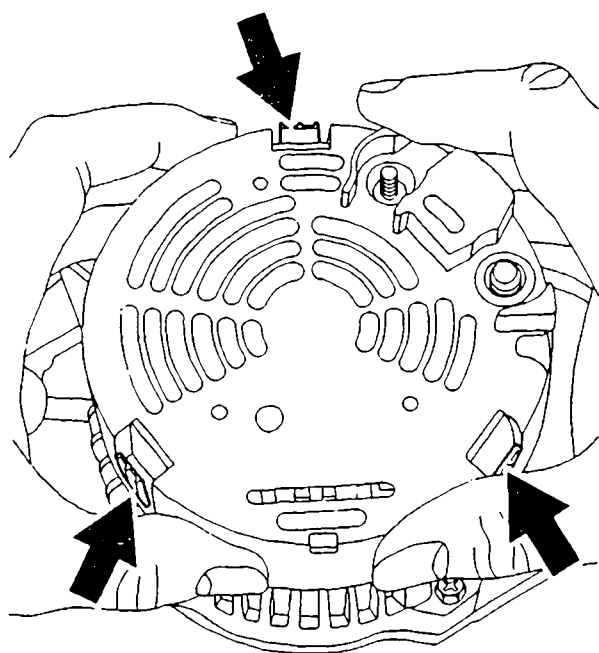
ASSEMBLING ALTERNATOR

Assembling protective cap

Position protective cap on rectifier unit and clip in (arrow).

Continue: III27/1 Fig.: III26/2

KME00595



ASSEMBLING ALTERNATOR

Assembling protective cap

Attach protective cap with three bolts
(arrow).

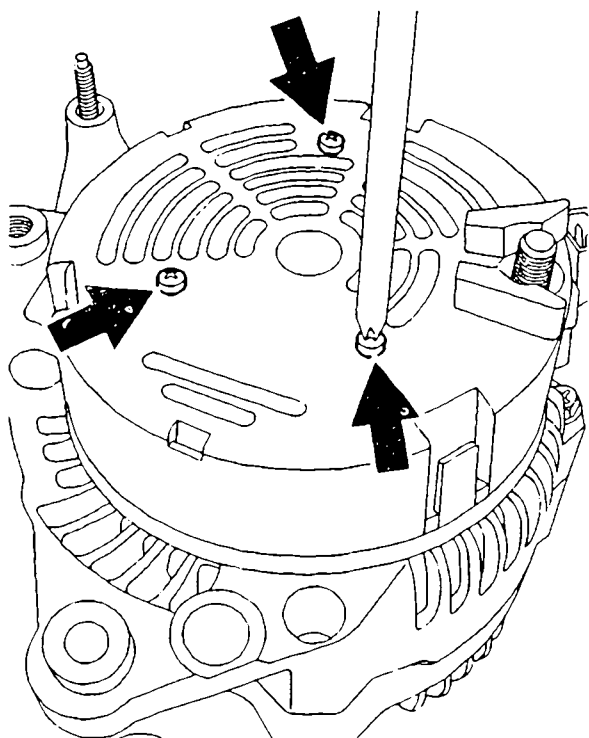
Use torque wrench.

Tightening torque: 0,5...1,2 Nm

Torque wrench: comm. avail.

Continue: III12/1 Fig.: III27/2

KME00596



ASSEMBLING ALTERNATOR

Assembling pulley

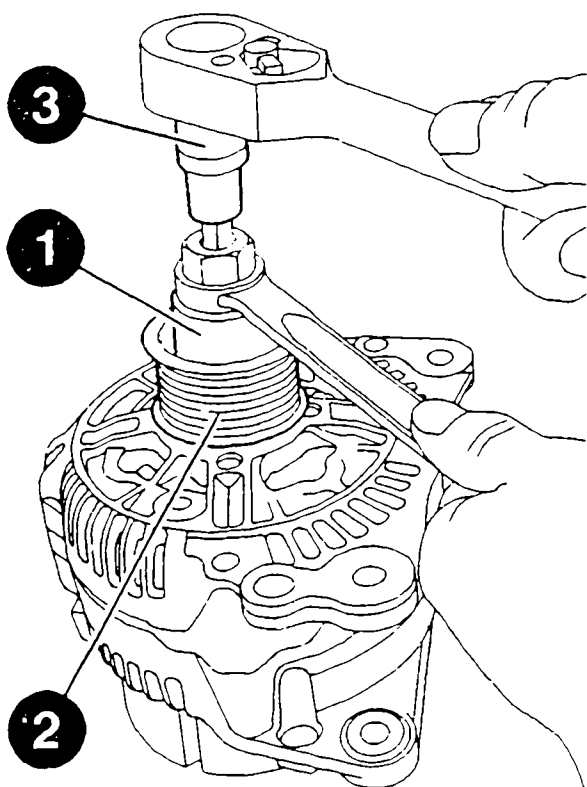
Attach socket wrench (1) to nut of pulley (2).
Hold rotor shaft of alternator with multi-point wrench (3) and tighten nut using 22 mm box wrench. Use torque wrench.

Tightening torque: 60...70 Nm

Torque wrench: comm. avail.
Socket wrench: 0 986 618 152
M10 multi-point socket,
long version: comm. avail.

Continue: IV01/1 Fig.: III28/2

KME0552



ASSEMBLING ALTERNATOR

Assembling pulley (free-wheel pulley)

Insert disassembly tool (1) in grooved tothing of free-wheel pulley (2).

Hold rotor shaft of alternator with multi-point wrench (3) and tighten free-wheel pulley by way of disassembly tool using 17 mm box wrench.

Use torque wrench.

Tightening torque:

75...85 Nm

Torque wrench:

comm. avail.

Disassembly tool:

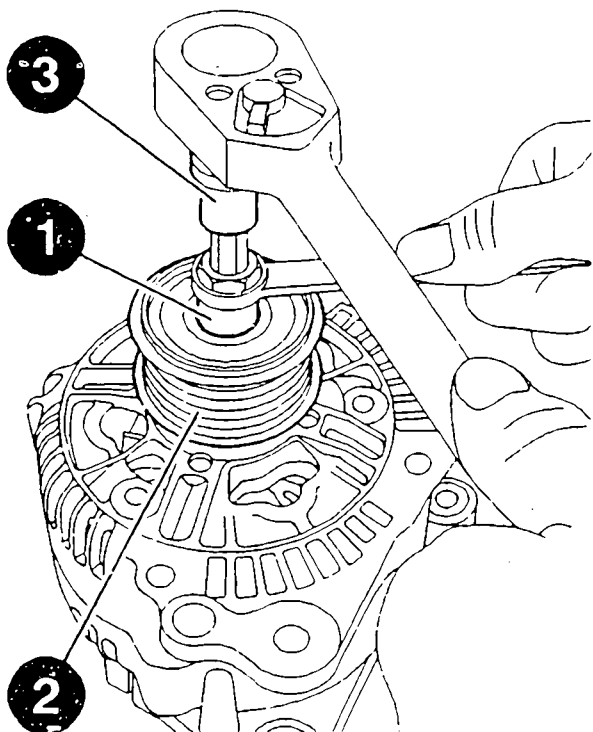
0 986 619 396

M10 multi-point socket,
long version:

comm. avail.

Continue: IV02/1 Fig.: IV01/2

KME00553



ASSEMBLING ALTERNATOR

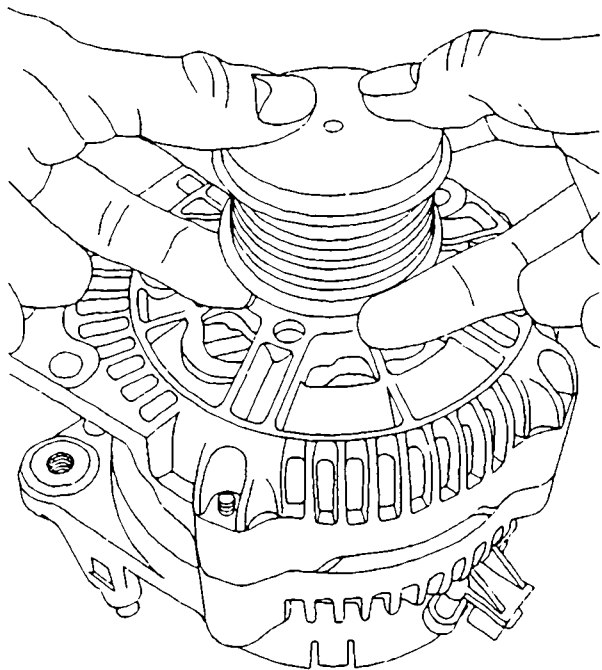
Assembling pulley

Cap is always to be renewed.

Fit clip-on pulley cap.

Continue: IV03/1 Fig.: IV02/2

KME00597



ASSEMBLING ALTERNATOR

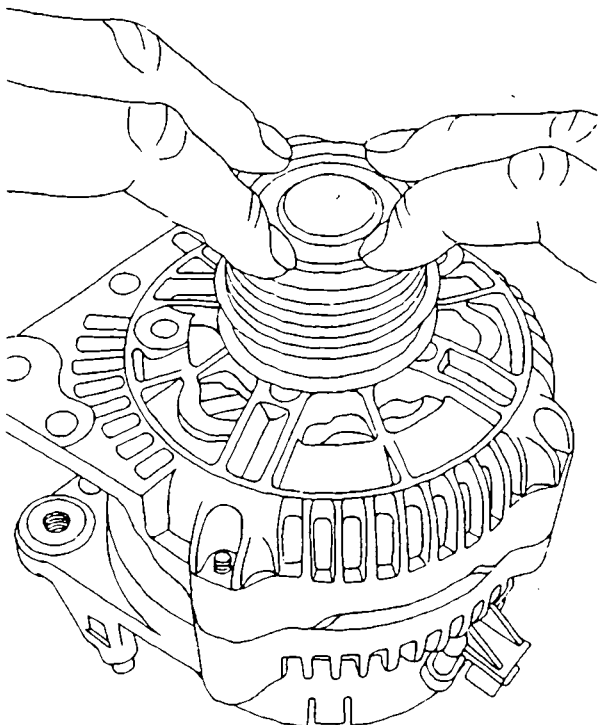
Assembling pulley

Cap is always to be renewed.

Fit press-in pulley cap.

Continue: III12/1 Fig.: IV03/2

KME00598



ASSEMBLING ALTERNATOR

Fitting connections

Attach connections B+, D+ and terminal W (if fitted).

Use torque wrench.

Tightening torques

Connection B+: 10 Nm

Connection D+: 7.8 Nm

Torque wrench: comm. avail.

Continue: III12/1

EDITORIAL NOTE

Copyright 1999 ROBERT BOSCH GmbH
Automotive-Equipment After-Sales
Service
Technical Publications Department
KH/VDT,
Postfach 30 02 20, D-70422 Stuttgart

Published by:
After-Sales Service Department for
Training and
Technology (KH/VSK).
Time of going to press 05.1999.
Please direct questions and comments
concerning the contents to our
authorized representative in your
country.

Continue: IV05/2

EDITORIAL NOTE

The contents of this microcard are
intended only for the Bosch Franchised
After-Sales Organization. Passing on
to third parties is not permitted.

Microfilmed in the Federal Republic of
Germany.

Continue: I01/1